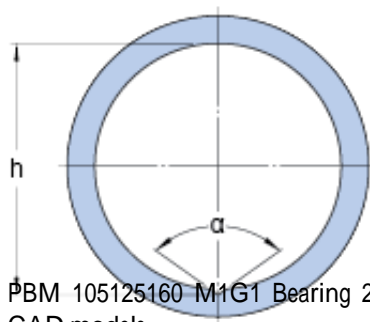
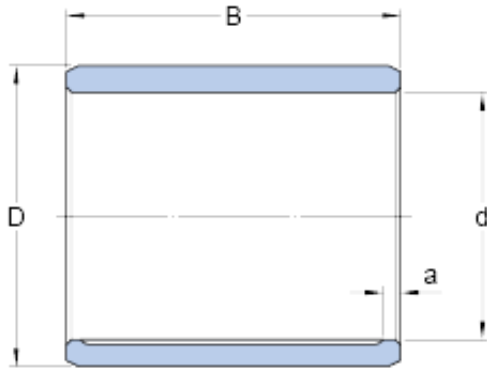




# SNR BEARING CORP.OF AMERICA



PBM 105125160 M1G1 Bearing 2D drawings and 3D CAD models

## 105 mm x 125 mm x 160 mm skf PBM 105125160 M1G1 Plain bearings,Bushings

Bearing No. PBM 105125160 M1G1

|  |                      |
|--|----------------------|
| d  | 105 mm               |
| D  | 125 mm               |
| B  | 160 mm               |
| a  | 8 mm                 |
| h  | 106.5 mm             |
|  | 124 °                |
| Tolerance shaft                            | e7                   |
| Tolerance housing                          | H7                   |
| Specific dynamic load factor K             | 25 N/mm <sup>2</sup> |
| Specific static load factor K <sub>0</sub> | 45 N/mm <sup>2</sup> |
| Permissible sliding velocity v min.        | 0 m/s                |
| Permissible sliding velocity v max.        | 0.5 m/s              |
| Coefficient of friction μ min.             | 0.08                 |
| Coefficient of friction μ max.             | 0.15                 |
| Mass bushing                               | 5.09 kg              |