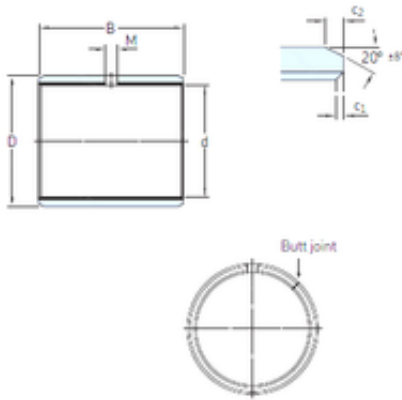




# SNR BEARING CORP.OF AMERICA



63,5 mm x 68,263 mm x 50,8 mm skf PCZ 4032  
M Plain bearings, Bushings

Bearing No. PCZ 4032 M

PCZ 4032 M Bearing 2D drawings and 3D CAD models

Size	63.5x68.263x50.8 mm
Bore Diameter	63,5 mm
Outer Diameter	68,263 mm
Width	50,8 mm
d	63,5 mm
D	68,263 mm
B	50,8 mm
c1 min	0,2 mm
c2 min	1,2 mm
M	6 mm
Weight	0,175 Kg
Basic dynamic load rating (C)	380 kN
c <sub>1</sub> min.	0.2 mm
c <sub>1</sub> max.	1 mm
c <sub>2</sub> min.	1.2 mm
c <sub>2</sub> max.	2.4 mm
± 8	20 °
Shaft diameter range min.	63.137 mm
Shaft diameter range max.	63.182 mm
Housing bore range min.	68.263 mm
Housing bore range max.	68.293 mm
Basic dynamic load rating - radial direction C	380 kN
Basic static load rating - radial direction C <sub>0</sub>	800 kN



## SNR BEARING CORP.OF AMERICA

Specific dynamic load factor K	120 N/mm <sup>2</sup>
Specific static load factor K <sub>0</sub>	250 N/mm <sup>2</sup>
Factor depending on material and bearing type K <sub>M</sub>	1900
Permissible sliding velocity v min.	0 m/s
Permissible sliding velocity v max.	2.5 m/s
Coefficient of friction $\mu$ min.	0.02
Coefficient of friction $\mu$ max.	0.2
Mass bushing	0.17 kg