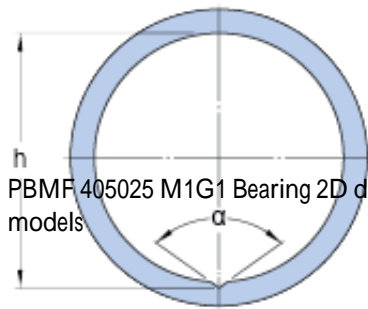
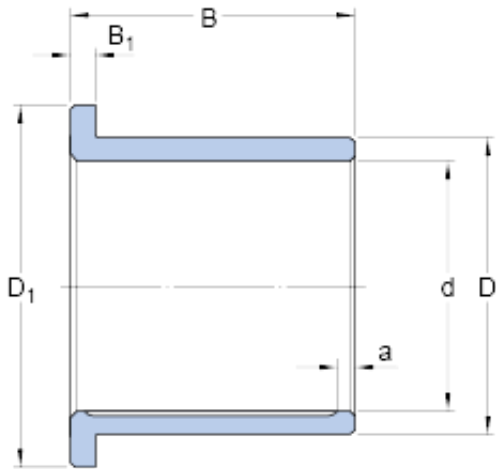




SNR BEARING CORP.OF AMERICA



PBMF 405025 M1G1 Bearing 2D drawings and 3D CAD models

40 mm x 50 mm x 25 mm skf PBMF 405025 M1G1 Plain bearings,Bushings

Bearing No. PBMF 405025 M1G1

d	40 mm
D	50 mm
B	25 mm
D ₁	60 mm
B ₁	6 mm
a	3 mm
h	41 mm
	124 °
Tolerance shaft	e7
Tolerance housing	H7
Specific dynamic load factor K	25 N/mm ²
Specific static load factor K ₀	45 N/mm ²
Permissible sliding velocity v min.	0 m/s
Permissible sliding velocity v max.	0.5 m/s
Coefficient of friction μ min.	0.08
Coefficient of friction μ max.	0.15
Mass bushing	0.2 kg