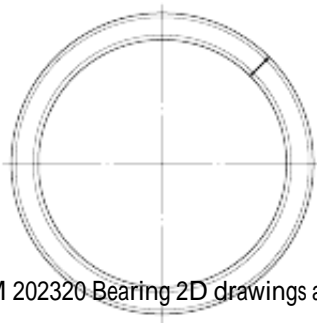
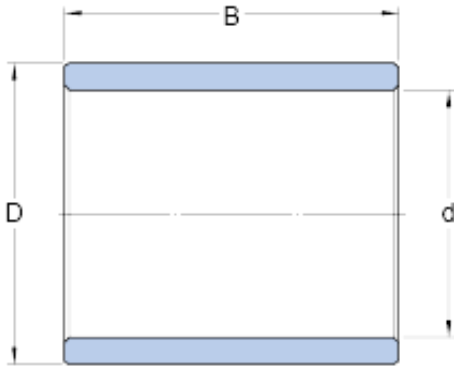




# SNR BEARING CORP.OF AMERICA



PRM 202320 Bearing 2D drawings and 3D CAD models

20 mm x 23 mm x 20 mm skf PRM 202320 Plain bearings, Bushings

Bearing No. PRM 202320

d	20 mm
D	23 mm
B	20 mm
Tolerance shaft	f7 m/s
Tolerance housing	H7 m/s
Specific dynamic load factor K	40 N/mm <sup>2</sup>
Specific static load factor K <sub>0</sub>	120 N/mm <sup>2</sup>
Permissible sliding velocity v min.	0 m/s
Permissible sliding velocity v max.	1 m/s
Coefficient of friction μ min.	0.08
Coefficient of friction μ max.	0.15
Mass bushing	0.017 kg