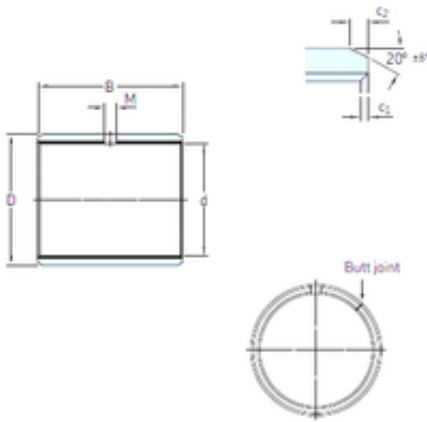




# SNR BEARING CORP.OF AMERICA

## 45 mm x 50 mm x 20 mm skf PCM 455020 M Plain bearings,Bushings



Bearing No. PCM 455020 M

Size	45x50x20 mm
Bore Diameter	45 mm
Outer Diameter	50 mm
Width	20 mm
d	45 mm
D	50 mm
B	20 mm
c1 min	0,2 mm
c2 min	1,2 mm
M	5 mm
Weight	0,052 Kg
Basic dynamic load rating (C)	104 kN
Category	Bearings
Inventory	0.0
Manufacturer Name	SKF
Minimum Buy Quantity	N/A
Weight / Kilogram	0
Product Group	B04264
c <sub>1</sub> min.	0.2 mm
c <sub>1</sub> max.	1 mm
c <sub>2</sub> min.	1.2 mm
c <sub>2</sub> max.	2.4 mm
± 8	20 °
Tolerance shaft	h8
Tolerance housing	H7

PCM 455020 M Bearing 2D drawings and 3D CAD models



## SNR BEARING CORP.OF AMERICA

Basic dynamic load rating - radial direction C	104 kN
Basic static load rating - radial direction C <sub>0</sub>	216 kN
Specific dynamic load factor K	120 N/mm <sup>2</sup>
Specific static load factor K <sub>0</sub>	250 N/mm <sup>2</sup>
Factor depending on material and bearing type K <sub>M</sub>	1900
Permissible sliding velocity v min.	0 m/s
Permissible sliding velocity v max.	2.5 m/s
Coefficient of friction μ min.	0.02
Coefficient of friction μ max.	0.2
Mass bushing	0.052 kg