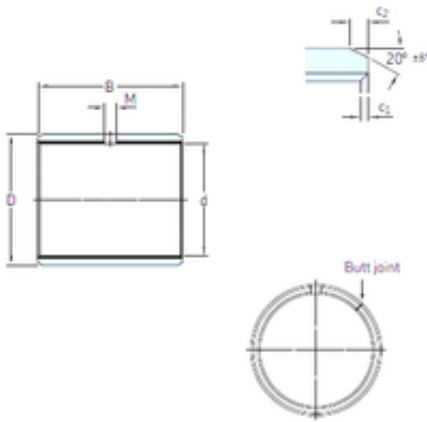




# SNR BEARING CORP.OF AMERICA

## 25 mm x 28 mm x 30 mm skf PCM 252830 E Plain bearings,Bushings



Bearing No. PCM 252830 E

Size	25x28x30 mm
Bore Diameter	25 mm
Outer Diameter	28 mm
Width	30 mm
d	25 mm
D	28 mm
B	30 mm
c1 min	0,1 mm
c2 min	0,2 mm
M	– mm
Weight	0,028 Kg
Basic dynamic load rating (C)	58,5 kN
Category	Plain Bearings
Inventory	0.0
Manufacturer Name	SKF
Minimum Buy Quantity	N/A
Weight / Kilogram	0.768
EAN	7316571875156
Product Group	B04264
c <sub>1</sub> min.	0.1 mm
c <sub>1</sub> max.	0.7 mm
c <sub>2</sub> min.	0.2 mm
c <sub>2</sub> max.	1 mm
± 8	20 °
Tolerance shaft	f7

PCM 252830 E Bearing 2D drawings and 3D CAD models



## SNR BEARING CORP.OF AMERICA

Tolerance housing	H7
Basic dynamic load rating - radial direction C	58.5 kN
Basic static load rating - radial direction $C_0$	183 kN
Specific dynamic load factor K	80 N/mm <sup>2</sup>
Specific static load factor $K_0$	250 N/mm <sup>2</sup>
Factor depending on material and bearing type $K_M$	480
Permissible sliding velocity v min.	0 m/s
Permissible sliding velocity v max.	2 m/s
Coefficient of friction $\mu$ min.	0.03
Coefficient of friction $\mu$ max.	0.25
Mass bushing	0.028 kg