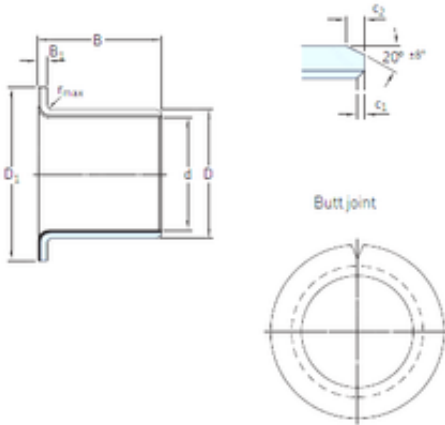




# SNR BEARING CORP.OF AMERICA

6 mm x 8 mm x 8 mm skf PCMF 060808 E Plain bearings, Bushings



Bearing No. PCMF 060808 E

PCMF 060808 E Bearing 2D drawings and 3D CAD models

Size	6x8x8 mm
Bore Diameter	6 mm
Outer Diameter	8 mm
Width	8 mm
d	6 mm
D	8 mm
B	8 mm
c1 min	0,1 mm
c2 min	0,2 mm
r max	1 mm
B1	1 mm
D1	12 mm
Weight	0,0019 Kg
Dynamic load rating radial (C)	2,9 kN
Dynamic load rating axial (C)	2,75 kN
Static load rating radial (C0)	9 kN
D <sub>1</sub>	12 mm
B <sub>1</sub>	1 mm
c <sub>1</sub> min.	0.1 mm
c <sub>1</sub> max.	0.7 mm
c <sub>2</sub> min.	0.2 mm
c <sub>2</sub> max.	1 mm
± 8	20 °
r max.	1 mm



## SNR BEARING CORP.OF AMERICA

Tolerance shaft	f7
Tolerance housing	H7
Basic dynamic load rating - radial direction $C$	2.9 kN
Basic static load rating - radial direction $C_0$	9 kN
Basic dynamic load rating - axial direction $C_a$	2.75 kN
Basic static load rating - axial direction $C_{0a}$	8.65 kN
Specific dynamic load factor $K$	80 N/mm <sup>2</sup>
Specific static load factor $K_0$	250 N/mm <sup>2</sup>
Factor depending on material and bearing type $K_M$	480
Permissible sliding velocity $v$ min.	0 m/s
Permissible sliding velocity $v$ max.	2 m/s
Coefficient of friction $\mu$ min.	0.03
Coefficient of friction $\mu$ max.	0.25
Mass bushing	0.0019 kg