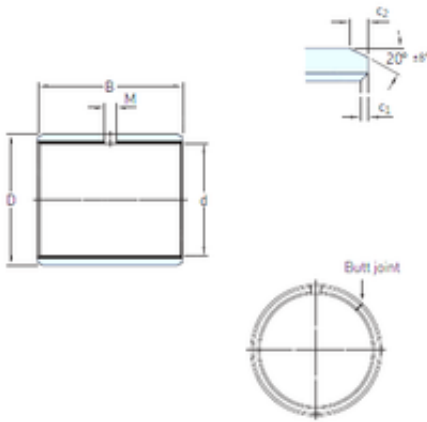




SNR BEARING CORP.OF AMERICA

14 mm x 16 mm x 10 mm skf PCM 141610 E Plain bearings,Bushings



Bearing No. PCM 141610 E

Size	14x16x10 mm
Bore Diameter	14 mm
Outer Diameter	16 mm
Width	10 mm
d	14 mm
D	16 mm
B	10 mm
c1 min	0,1 mm
c2 min	0,2 mm
M	– mm
Weight	0,0035 Kg
Basic dynamic load rating (C)	11,2 kN
Category	Plain Bearings
Inventory	0.0
Manufacturer Name	SKF
Minimum Buy Quantity	N/A
Weight / Kilogram	0.193
EAN	7316571894263
Product Group	B04264
c ₁ min.	0.1 mm
c ₁ max.	0.6 mm
c ₂ min.	0.2 mm
c ₂ max.	1 mm
± 8	20 °
Tolerance shaft	f7

PCM 141610 E Bearing 2D drawings and 3D CAD models



SNR BEARING CORP.OF AMERICA

Tolerance housing	H7
Basic dynamic load rating - radial direction C	11.2 kN
Basic static load rating - radial direction C_0	34.5 kN
Specific dynamic load factor K	80 N/mm ²
Specific static load factor K_0	250 N/mm ²
Factor depending on material and bearing type K_M	480
Permissible sliding velocity v min.	0 m/s
Permissible sliding velocity v max.	2 m/s
Coefficient of friction μ min.	0.03
Coefficient of friction μ max.	0.25
Mass bushing	0.0035 kg