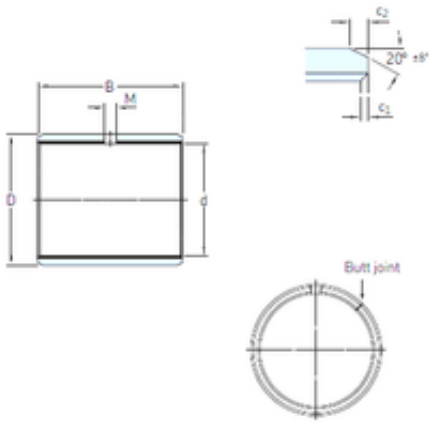




# SNR BEARING CORP.OF AMERICA



## 45 mm x 50 mm x 40 mm skf PCM 455040 E Plain bearings, Bushings

Bearing No. PCM 455040 E

PCM 455040 E Bearing 2D drawings and 3D CAD models

Size	45x50x40 mm
Bore Diameter	45 mm
Outer Diameter	50 mm
Width	40 mm
d	45 mm
D	50 mm
B	40 mm
c1 min	0,2 mm
c2 min	1,2 mm
M	– mm
Weight	0,11 Kg
Basic dynamic load rating (C)	140 kN
Category	Bearings
Inventory	0.0
Manufacturer Name	SKF
Minimum Buy Quantity	N/A
Weight / Kilogram	0.112
Product Group	B04264
c <sub>1</sub> min.	0.2 mm
c <sub>1</sub> max.	1 mm
c <sub>2</sub> min.	1.2 mm
c <sub>2</sub> max.	2.4 mm
± 8	20 °
Tolerance shaft	f7
Tolerance housing	H7



## SNR BEARING CORP.OF AMERICA

Basic dynamic load rating - radial direction C	140 kN
Basic static load rating - radial direction C <sub>0</sub>	440 kN
Specific dynamic load factor K	80 N/mm <sup>2</sup>
Specific static load factor K <sub>0</sub>	250 N/mm <sup>2</sup>
Factor depending on material and bearing type K <sub>M</sub>	480
Permissible sliding velocity v min.	0 m/s
Permissible sliding velocity v max.	2 m/s
Coefficient of friction μ min.	0.03
Coefficient of friction μ max.	0.25
Mass bushing	0.11 kg