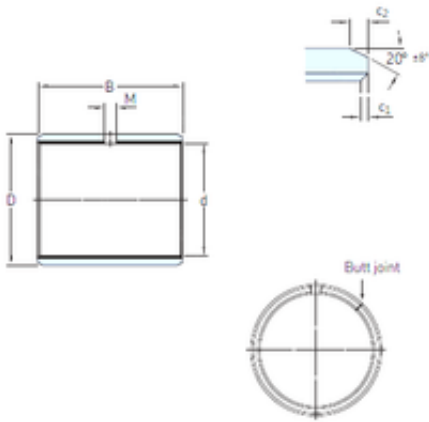




SNR BEARING CORP.OF AMERICA

37 mm x 40 mm x 20 mm skf PCM 374020 M Plain bearings,Bushings



Bearing No. PCM 374020 M

Size	37x40x20 mm
Bore Diameter	37 mm
Outer Diameter	40 mm
Width	20 mm
d	37 mm
D	40 mm
B	20 mm
c1 min	0,1 mm
c2 min	0,8 mm
M	4 mm
Weight	0,023 Kg
Basic dynamic load rating (C)	85 kN
Category	Bearings
Inventory	0.0
Manufacturer Name	SKF
Minimum Buy Quantity	N/A
Weight / Kilogram	0.021
Product Group	B04264
c ₁ min.	0.1 mm
c ₁ max.	0.7 mm
c ₂ min.	0.2 mm
c ₂ max.	1 mm
± 8	20 °
Tolerance shaft	h8
Tolerance housing	H7

PCM 374020 M Bearing 2D drawings and 3D CAD models



SNR BEARING CORP.OF AMERICA

Basic dynamic load rating - radial direction C	85 kN
Basic static load rating - radial direction C ₀	176 kN
Specific dynamic load factor K	120 N/mm ²
Specific static load factor K ₀	250 N/mm ²
Factor depending on material and bearing type K _M	1900
Permissible sliding velocity v min.	0 m/s
Permissible sliding velocity v max.	2.5 m/s
Coefficient of friction μ min.	0.02
Coefficient of friction μ max.	0.2
Mass bushing	0.023 kg