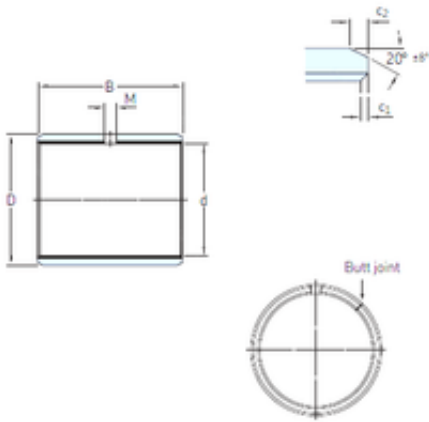




SNR BEARING CORP.OF AMERICA



20 mm x 23 mm x 10 mm skf PCM 202310 E Plain bearings,Bushings

Bearing No. PCM 202310 E

PCM 202310 E Bearing 2D drawings and 3D CAD models

Size	20x23x10 mm
Bore Diameter	20 mm
Outer Diameter	23 mm
Width	10 mm
d	20 mm
D	23 mm
B	10 mm
c1 min	0,1 mm
c2 min	0,2 mm
M	– mm
Weight	0,0074 Kg
Basic dynamic load rating (C)	14,6 kN
Category	Plain Bearings
Inventory	0.0
Manufacturer Name	SKF
Minimum Buy Quantity	N/A
Weight / Kilogram	0.213
EAN	7316571875224
Product Group	B04264
c ₁ min.	0.1 mm
c ₁ max.	0.7 mm
c ₂ min.	0.2 mm
c ₂ max.	1 mm
± 8	20 °
Tolerance shaft	f7



SNR BEARING CORP.OF AMERICA

Tolerance housing	H7
Basic dynamic load rating - radial direction C	14.6 kN
Basic static load rating - radial direction C_0	45.5 kN
Specific dynamic load factor K	80 N/mm ²
Specific static load factor K_0	250 N/mm ²
Factor depending on material and bearing type K_M	480
Permissible sliding velocity v min.	0 m/s
Permissible sliding velocity v max.	2 m/s
Coefficient of friction μ min.	0.03
Coefficient of friction μ max.	0.25
Mass bushing	0.0074 kg