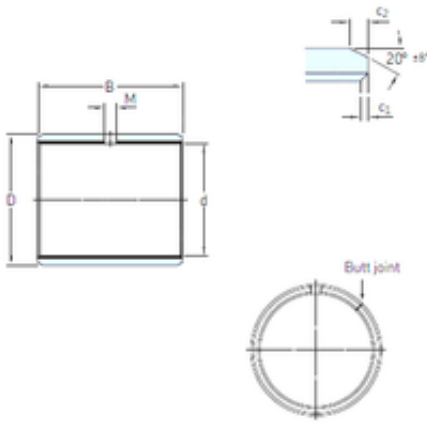




# SNR BEARING CORP.OF AMERICA

100 mm x 105 mm x 60 mm skf PCM 10010560  
E Plain bearings, Bushings



Bearing No. PCM 10010560 E

|                               |                |
|-------------------------------|----------------|
| Size                          | 100x105x60 mm  |
| Bore Diameter                 | 100 mm         |
| Outer Diameter                | 105 mm         |
| Width                         | 60 mm          |
| d                             | 100 mm         |
| D                             | 105 mm         |
| B                             | 60 mm          |
| c1 min                        | 0,2 mm         |
| c2 min                        | 1,2 mm         |
| M                             | – mm           |
| Weight                        | 0,36 Kg        |
| Basic dynamic load rating (C) | 475 kN         |
| Category                      | Plain Bearings |
| Inventory                     | 0.0            |
| Manufacturer Name             | SKF            |
| Minimum Buy Quantity          | N/A            |
| Weight / Kilogram             | 0.413          |
| EAN                           | 7316571902845  |
| Product Group                 | B04264         |
| c <sub>1</sub> min.           | 0.2 mm         |
| c <sub>1</sub> max.           | 1 mm           |
| c <sub>2</sub> min.           | 1.2 mm         |
| c <sub>2</sub> max.           | 2.4 mm         |
| ± 8                           | 20 °           |
| Tolerance shaft               | h8             |

PCM 10010560 E Bearing 2D drawings and 3D CAD models



## SNR BEARING CORP.OF AMERICA

|   |                       |
|---|-----------------------|
| Tolerance housing                                   | H7                    |
| Basic dynamic load rating - radial direction C      | 475 kN                |
| Basic static load rating - radial direction $C_0$   | 1460 kN               |
| Specific dynamic load factor K                      | 80 N/mm <sup>2</sup>  |
| Specific static load factor $K_0$                   | 250 N/mm <sup>2</sup> |
| Factor depending on material and bearing type $K_M$ | 480                   |
| Permissible sliding velocity v min.                 | 0 m/s                 |
| Permissible sliding velocity v max.                 | 2 m/s                 |
| Coefficient of friction $\mu$ min.                  | 0.03                  |
| Coefficient of friction $\mu$ max.                  | 0.25                  |
| Mass bushing  | 0.36 kg               |