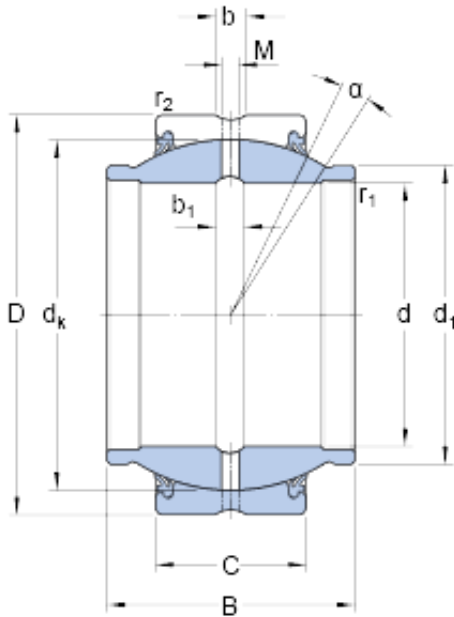




SNR BEARING CORP.OF AMERICA

50 mm x 75 mm x 43 mm skf GEM 50 ES-2RS Radial spherical plain bearings



Bearing No. GEM 50 ES-2RS

GEM 50 ES-2RS Bearing 2D drawings and 3D CAD models

Size	75x50x43 mm
Bore Diameter	75 mm
Outer Diameter	50 mm
Width	43 mm
d	50 mm
D	75 mm
B	43 mm
C	28 mm
	4 °
d _k	66 mm
d ₁	57 mm
b	4.6 mm
b ₁	4.6 mm
M	3 mm
r ₁ - min.	0.6 mm
r ₂ - min.	1 mm
d _a - min.	54.8 mm
d _a - max.	57 mm
D _a - min.	66.2 mm
D _a - max.	70.5 mm
r _a - max.	0.6 mm
r _b - max.	1 mm
Basic dynamic load rating - C	156 kN
Basic static load rating - C ₀	780 kN



SNR BEARING CORP.OF AMERICA

Specific factor dinamic load - K	100 N/mm ²
Specific factor static load - K ₀	500 N/mm ²
Constant - K _M	330
Category	Spherical Plain Bearings - Radial
Inventory	0.0
Manufacturer Name	SKF
Minimum Buy Quantity	N/A
Weight / Kilogram	0.6
EAN	7316577003362
Product Group	B04264
Self Aligning	Yes
Rolling Element	Spherical Plain
Material - Outer Member	Steel
Material - Ball	Steel
Material - Liner	Not Applicable
Relubricatable	Yes
Enclosure	2 Seals
Other Features	2 Piece Extended Inner Ring on Both Sides Double Lip Seals Lubrication Hole and an Annular Groove in Both Rings
Long Description	50MM Bore; 28MM Housing Width; 75MM Outside Diameter; Spherical Plain; Steel Outer Member; Steel Ball; No Liner; 43MM Overall Width; Relubricatable
Inch - Metric	Metric
Category	Plain Bearings Spherical Radial
UNSPSC	31171515



SNR BEARING CORP.OF AMERICA

Harmonized Tariff Code	8483.30.80.70
Noun	Bearing
Keyword 3	Spherical
Keyword String	Plain Spherical Radial
Manufacturer URL	http://www.skf.com
Manufacturer Item Number	GEM 50 ES-2RS
Weight / LBS	1.323
Housing Width	1.102 Inch 28 Millimeter
Outside Diameter	2.953 Inch 75 Millimeter
Bore	1.969 Inch 50 Millimeter
Overall Width	1.693 Inch 43 Millimeter
bore diameter:	50 mm
inner ring material:	Steel
outside diameter:	75 mm
outer ring width:	28 mm
misalignment angle:	4 °
overall width:	43 mm
inner ring width:	43 mm
radial static load capacity:	780 kN
bearing type:	Radial
radial dynamic load capacity:	156 kN
lubrication type:	Requires Lubrication
operating temperature range:	-30 to +130 ° C ° F
closure type:	Sealed
manufacturer upc number:	7316577003362
outer ring material:	Steel
Lubricant	Regular relubrication – grease
Design (sliding contact surface combination)	Steel/steel
Sealing solution	Double-lip seals



SNR BEARING CORP.OF AMERICA

	4 °
d_k	66 mm
d_1	57 mm
b_1	4.6 mm
r_1 min.	0.6 mm
r_2 min.	1 mm
d_a min.	54.8 mm
d_a max.	57 mm
D_a min.	66.2 mm
D_a max.	70.5 mm
r_a max.	0.6 mm
r_b max.	1 mm
Basic dynamic load rating C	156 kN
Basic static load rating C_0	780 kN
Specific dynamic load factor K	100 N/mm ²
Specific static load factor K_0	500 N/mm ²
Material constant K_M	330
Mass plain bearing	0.6 kg