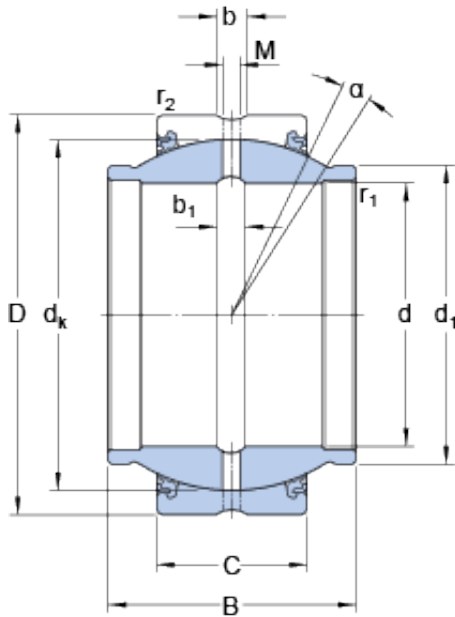




# SNR BEARING CORP.OF AMERICA



GEM 25 ESX-2LS Bearing 2D drawings and 3D CAD models

25 mm x 42 mm x 29 mm skf GEM 25 ESX-2LS  
Radial spherical plain bearings

Bearing No. GEM 25 ESX-2LS

Size	42x25x29 mm
Bore Diameter	42 mm
Outer Diameter	25 mm
Width	29 mm
d	25 mm
D	42 mm
B	29 mm
C	16 mm
	4 °
d <sub>k</sub>	35.5 mm
d <sub>1</sub>	29 mm
b	3.1 mm
b <sub>1</sub>	3.1 mm
M	2 mm
r <sub>1</sub> - min.	0.3 mm
r <sub>2</sub> - min.	0.6 mm
d <sub>a</sub> - min.	28.3 mm
d <sub>a</sub> - max.	29 mm
D <sub>a</sub> - min.	36.9 mm
D <sub>a</sub> - max.	39.2 mm
r <sub>a</sub> - max.	0.3 mm
r <sub>b</sub> - max.	0.6 mm
Basic dynamic load rating - C	72 kN
Basic static load rating - C <sub>0</sub>	240 kN



## SNR BEARING CORP.OF AMERICA

Specific factor dynamic load - K	150 N/mm <sup>2</sup>
Specific factor static load - K <sub>0</sub>	500 N/mm <sup>2</sup>
Constant - K <sub>M</sub>	330
Lubricant	Maintenance free – greased for life
Design (sliding contact surface combination)	Steel/steel
Sealing solution	Triple-lip seals
	4 °
d <sub>k</sub>	35.5 mm
d <sub>1</sub>	29 mm
b <sub>1</sub>	3.1 mm
r <sub>1</sub> min.	0.3 mm
r <sub>2</sub> min.	0.6 mm
d <sub>a</sub> min.	28.3 mm
d <sub>a</sub> max.	29 mm
D <sub>a</sub> min.	36.9 mm
D <sub>a</sub> max.	39.2 mm
r <sub>a</sub> max.	0.3 mm
r <sub>b</sub> max.	0.6 mm
Basic dynamic load rating C	72 kN
Basic static load rating C <sub>0</sub>	240 kN
Specific dynamic load factor K	150 N/mm <sup>2</sup>
Specific static load factor K <sub>0</sub>	500 N/mm <sup>2</sup>
Material constant K <sub>M</sub>	330
Mass plain bearing	0.12 kg