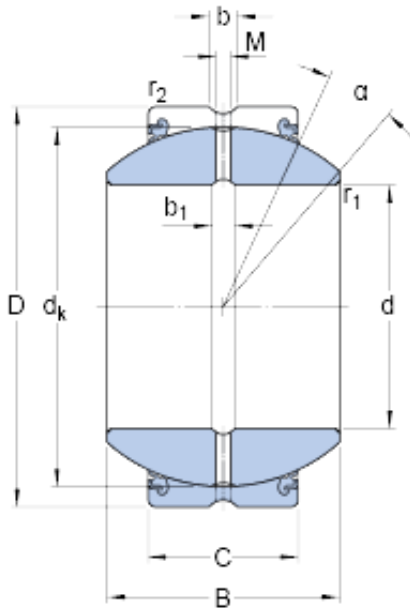




# SNR BEARING CORP.OF AMERICA

38.1 mm x 71.438 mm x 40.132 mm skf GEZH 108 ES-2LS Radial spherical plain bearings

Bearing No. GEZH 108 ES-2LS



GEZH 108 ES-2LS Bearing 2D drawings and 3D CAD models

Size	71.438x38.1x40.132 mm
Bore Diameter	71,438 mm
Outer Diameter	38,1 mm
Width	40,132 mm
d	38.1 mm
D	71.438 mm
B	40.132 mm
C	33.325 mm
	7 °
d <sub>k</sub>	63.881 mm
b	4.8 mm
b <sub>1</sub>	5 mm
M	4 mm
r <sub>1</sub> - min.	1 mm
r <sub>2</sub> - min.	1 mm
d <sub>a</sub> - min.	42.8 mm
d <sub>a</sub> - max.	49.7 mm
D <sub>a</sub> - min.	61.3 mm
D <sub>a</sub> - max.	67.4 mm
r <sub>a</sub> - max.	1 mm
r <sub>b</sub> - max.	1 mm
Basic dynamic load rating - C	170 kN
Basic static load rating - C <sub>0</sub>	510 kN
Specific factor dinamic load - K	100 N/mm <sup>2</sup>



## SNR BEARING CORP.OF AMERICA

Specific factor static load - $K_0$	300 N/mm <sup>2</sup>
Constant - $K_M$	330
Lubricant	Regular relubrication – grease
Design (sliding contact surface combination)	Steel/steel
Sealing solution	Triple-lip seals
	7 °
$d_k$	63.881 mm
$b_1$	5 mm
$r_1$ min.	1 mm
$r_2$ min.	1 mm
$d_a$ min.	42.8 mm
$d_a$ max.	49.7 mm
$D_a$ min.	61.3 mm
$D_a$ max.	67.4 mm
$r_a$ max.	1 mm
$r_b$ max.	1 mm
Basic dynamic load rating C	170 kN
Basic static load rating $C_0$	510 kN
Specific dynamic load factor K	100 N/mm <sup>2</sup>
Specific static load factor $K_0$	300 N/mm <sup>2</sup>
Material constant $K_M$	330
Mass plain bearing	0.79 kg