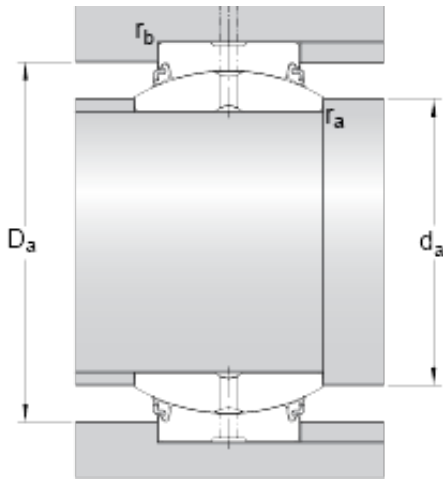




# SNR BEARING CORP.OF AMERICA



95.25 mm x 149.225 mm x 83.337 mm skf GEZ 312 ESL-2LS Radial spherical plain bearings

Bearing No. GEZ 312 ESL-2LS

GEZ 312 ESL-2LS Bearing 2D drawings and 3D CAD models

Lubricant	Regular relubrication – grease
Design (sliding contact surface combination)	Steel/steel, heavy-duty bearing
Sealing solution	Triple-lip seals
d	95.25 mm
D	149.225 mm
B	83.337 mm
C	71.425 mm
	6 °
d <sub>k</sub>	136.906 mm
b	10.5 mm
b <sub>1</sub>	8 mm
M	6.5 mm
r <sub>1</sub> min.	0.6 mm
r <sub>2</sub> min.	1 mm
d <sub>a</sub> min.	101.2 mm
d <sub>a</sub> max.	108.6 mm
D <sub>a</sub> min.	131.4 mm
D <sub>a</sub> max.	143.1 mm
r <sub>a</sub> max.	0.6 mm
r <sub>b</sub> max.	1 mm
Basic dynamic load rating C	780 kN
Basic static load rating C <sub>0</sub>	2360 kN
Specific dynamic load factor K	100 N/mm <sup>2</sup>



## SNR BEARING CORP.OF AMERICA

Specific static load factor $K_0$	300 N/mm <sup>2</sup>
Material constant $K_M$	330
Mass plain bearing	5.8 kg