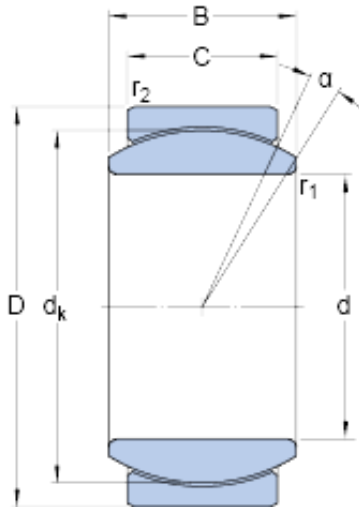




# SNR BEARING CORP.OF AMERICA



45 mm x 68 mm x 32 mm skf GE 45 CJ2 Radial spherical plain bearings

Bearing No. GE 45 CJ2

GE 45 CJ2 Bearing 2D drawings and 3D CAD models

Size	68x45x32 mm
Bore Diameter	68 mm
Outer Diameter	45 mm
Width	32 mm
d	45 mm
D	68 mm
B	32 mm
C	25 mm
	7 °
d <sub>k</sub>	60 mm
r <sub>1</sub> - min.	0.6 mm
r <sub>2</sub> - min.	1 mm
d <sub>a</sub> - min.	49 mm
d <sub>a</sub> - max.	50.8 mm
D <sub>a</sub> - min.	57 mm
D <sub>a</sub> - max.	64.2 mm
r <sub>a</sub> - max.	0.6 mm
r <sub>b</sub> - max.	1 mm
Basic dynamic load rating - C	127 kN
Basic static load rating - C <sub>0</sub>	320 kN
Specific factor dinamic load - K	100 N/mm <sup>2</sup>
Specific factor static load - K <sub>0</sub>	250 N/mm <sup>2</sup>
Constant - K <sub>M</sub>	1400



## SNR BEARING CORP.OF AMERICA

Lubricant	Maintenance free – dry lubrication
Design (sliding contact surface combination)	Steel/PTFE sintered bronze
Sealing solution	-
	7 °
$d_k$	60 mm
$r_1$ min.	0.6 mm
$r_2$ min.	1 mm
$d_a$ min.	49 mm
$d_a$ max.	50.8 mm
$D_a$ min.	57 mm
$D_a$ max.	64.2 mm
$r_a$ max.	0.6 mm
$r_b$ max.	1 mm
Basic dynamic load rating C	127 kN
Basic static load rating $C_0$	320 kN
Specific dynamic load factor K	100 N/mm <sup>2</sup>
Specific static load factor $K_0$	250 N/mm <sup>2</sup>
Material constant $K_M$	1400
Mass plain bearing	0.46 kg