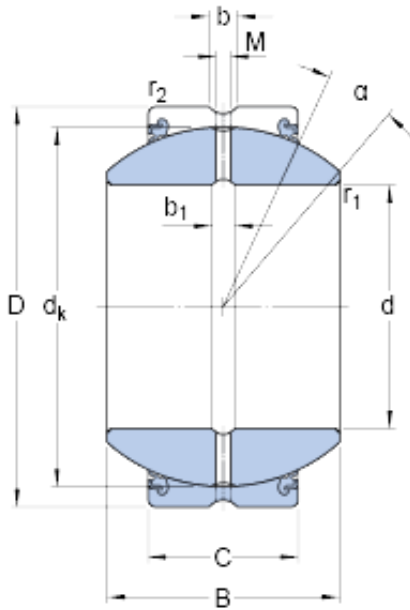




SNR BEARING CORP.OF AMERICA

110 mm x 180 mm x 100 mm skf GEH 110
ESX-2LS Radial spherical plain bearings

Bearing No. GEH 110 ESX-2LS



GEH 110 ESX-2LS Bearing 2D drawings and 3D CAD models

Size	180x110x100 mm
Bore Diameter	180 mm
Outer Diameter	110 mm
Width	100 mm
d	110 mm
D	180 mm
B	100 mm
C	70 mm
	12 °
d _k	160 mm
b	13.5 mm
b ₁	13.5 mm
M	6 mm
r ₁ - min.	1 mm
r ₂ - min.	1 mm
d _a - min.	119.5 mm
d _a - max.	124.5 mm
D _a - min.	157.5 mm
D _a - max.	172 mm
r _a - max.	1 mm
r _b - max.	1 mm
Basic dynamic load rating - C	1430 kN
Basic static load rating - C ₀	4750 kN
Specific factor dinamic load - K	150 N/mm ²



SNR BEARING CORP.OF AMERICA

Specific factor static load - K_0	500 N/mm ²
Constant - K_M	330
Size	110x180x100 mm
Bore Diameter	110 mm
Outer Diameter	180 mm
Width	100 mm
d	110 mm
D	180 mm
B	100 mm
C	70 mm
	12 °
d_k	160 mm
b	13.5 mm
b_1	13.5 mm
M	6 mm
r_1 - min.	1 mm
r_2 - min.	1 mm
d_a - min.	119.5 mm
d_a - max.	124.5 mm
D_a - min.	157.5 mm
D_a - max.	172 mm
r_a - max.	1 mm
r_b - max.	1 mm
Basic dynamic load rating - C	1430 kN
Basic static load rating - C_0	4750 kN
Specific factor dynamic load - K	150 N/mm ²
Specific factor static load - K_0	500 N/mm ²
Constant - K_M	330



SNR BEARING CORP.OF AMERICA

Lubricant	Maintenance free – greased for life
Design (sliding contact surface combination)	Steel/steel
Sealing solution	Triple-lip seals
	12 °
d_k	160 mm
b_1	13.5 mm
r_1 min.	1 mm
r_2 min.	1 mm
d_a min.	119.5 mm
d_a max.	124.5 mm
D_a min.	157.5 mm
D_a max.	172 mm
r_a max.	1 mm
r_b max.	1 mm
Basic dynamic load rating C	1430 kN
Basic static load rating C_0	4750 kN
Specific dynamic load factor K	150 N/mm ²
Specific static load factor K_0	500 N/mm ²
Material constant K_M	330
Mass plain bearing	11 kg