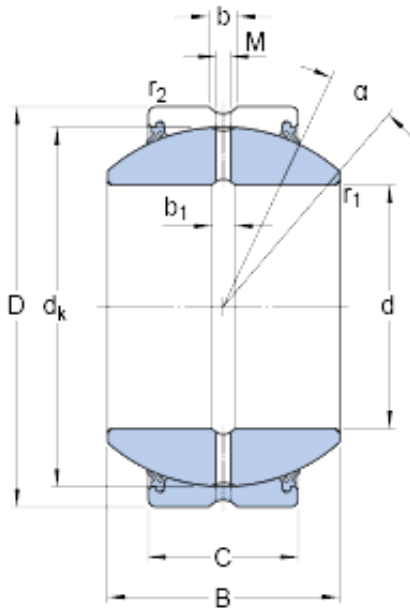




# SNR BEARING CORP.OF AMERICA



GEH 90 ES-2RS Bearing 2D drawings and 3D CAD models

90 mm x 150 mm x 85 mm skf GEH 90 ES-2RS  
Radial spherical plain bearings

Bearing No. GEH 90 ES-2RS

Size	150x90x85 mm
Bore Diameter	150 mm
Outer Diameter	90 mm
Width	85 mm
d	90 mm
D	150 mm
B	85 mm
C	55 mm
	15 °
d <sub>k</sub>	130 mm
b	11.3 mm
b <sub>1</sub>	11.3 mm
M	5 mm
r <sub>1</sub> - min.	1 mm
r <sub>2</sub> - min.	1 mm
d <sub>a</sub> - min.	98.2 mm
d <sub>a</sub> - max.	98.4 mm
D <sub>a</sub> - min.	131 mm
D <sub>a</sub> - max.	143.2 mm
r <sub>a</sub> - max.	1 mm
r <sub>b</sub> - max.	1 mm
Basic dynamic load rating - C	610 kN
Basic static load rating - C <sub>0</sub>	3050 kN
Specific factor dinamic load - K	100 N/mm <sup>2</sup>



## SNR BEARING CORP.OF AMERICA

Specific factor static load - $K_0$	500 N/mm <sup>2</sup>
Constant - $K_M$	330
Category	Spherical Plain Bearings - Radial
Inventory	0.0
Manufacturer Name	SKF
Minimum Buy Quantity	N/A
Weight / Kilogram	5.324
EAN	7316577003294
Product Group	B04264
Self Aligning	Yes
Rolling Element	Spherical Plain
Material - Outer Member	Steel
Material - Ball	Steel
Material - Liner	Not Applicable
Relubricatable	Yes
Enclosure	2 Seals
Other Features	2 Piece   Larger Tilt Angle   Double Lip Seals   Lubrication Hole and an Annular Groove in Both Rings
Long Description	90MM Bore; 55MM Housing Width; 150MM Outside Diameter; Spherical Plain; Steel Outer Member; Steel Ball; No Liner; 85MM Overall Width; Relubricatable
Inch - Metric	Metric
Category	Plain Bearings Spherical Radial
UNSPSC	31171515
Harmonized Tariff Code	8483.30.80.70
Noun	Bearing



## SNR BEARING CORP.OF AMERICA

Keyword 3	Spherical
Keyword String	Plain Spherical Radial
Manufacturer URL	<a href="http://www.skf.com">http://www.skf.com</a>
Manufacturer Item Number	GEH 90 ES-2RS
Weight / LBS	13.889
Bore	3.543 Inch   90 Millimeter
Overall Width	3.346 Inch   85 Millimeter
Outside Diameter	5.906 Inch   150 Millimeter
Housing Width	2.165 Inch   55 Millimeter
bore diameter:	90 mm
inner ring material:	Steel
outside diameter:	150 mm
outer ring width:	55 mm
misalignment angle:	15 °
grade:	Commercial/Industrial
inner ring width:	85 mm
overall width:	85 mm
bearing type:	Radial
radial static load capacity:	3050 kN
lubrication type:	Requires Lubrication
radial dynamic load capacity:	610 kN
closure type:	Sealed
operating temperature range:	-30 to +130 ° C ° F
outer ring material:	Steel
manufacturer upc number:	7316577003294
Lubricant	Regular relubrication – grease
Design (sliding contact surface combination)	Steel/steel
Sealing solution	Double-lip seals
	15 °



## SNR BEARING CORP.OF AMERICA

$d_k$	130 mm
$b_1$	11.3 mm
$r_1$ min.	1 mm
$r_2$ min.	1 mm
$d_a$ min.	98.2 mm
$d_a$ max.	98.4 mm
$D_a$ min.	131 mm
$D_a$ max.	143.2 mm
$r_a$ max.	1 mm
$r_b$ max.	1 mm
Basic dynamic load rating C	610 kN
Basic static load rating $C_0$	3050 kN
Specific dynamic load factor K	100 N/mm <sup>2</sup>
Specific static load factor $K_0$	500 N/mm <sup>2</sup>
Material constant $K_M$	330
Mass plain bearing	6.3 kg