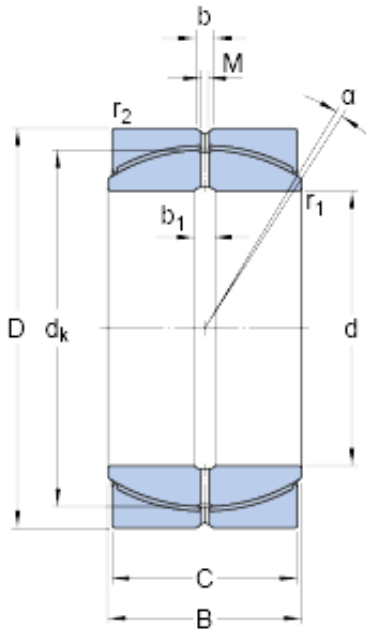




# SNR BEARING CORP.OF AMERICA



GEP 420 FS Bearing 2D drawings and 3D CAD models

420 mm x 600 mm x 300 mm skf GEP 420 FS  
Radial spherical plain bearings

Bearing No. GEP 420 FS

Size	600x420x300 mm
Bore Diameter	600 mm
Outer Diameter	420 mm
Width	300 mm
d	420 mm
D	600 mm
B	300 mm
C	280 mm
	2 °
d <sub>k</sub>	534 mm
b	21 mm
b <sub>1</sub>	21 mm
M	8 mm
r <sub>1</sub> - min.	1.5 mm
r <sub>2</sub> - min.	4 mm
d <sub>a</sub> - min.	439 mm
d <sub>a</sub> - max.	441 mm
D <sub>a</sub> - min.	497 mm
D <sub>a</sub> - max.	568 mm
r <sub>a</sub> - max.	1.5 mm
r <sub>b</sub> - max.	4 mm
Basic dynamic load rating - C	10600 kN
Basic static load rating - C <sub>0</sub>	16000 kN
Specific factor dinamic load - K	80 N/mm <sup>2</sup>



## SNR BEARING CORP.OF AMERICA

Specific factor static load - $K_0$	120 N/mm <sup>2</sup>
Constant - $K_M$	1055
Lubricant	Maintenance free – dry lubrication
Design (sliding contact surface combination)	Steel/PTFE FRP
Sealing solution	-
	2 °
$d_k$	534 mm
$b_1$	21 mm
$r_1$ min.	1.5 mm
$r_2$ min.	4 mm
$d_a$ min.	439 mm
$d_a$ max.	441 mm
$D_a$ min.	497 mm
$D_a$ max.	568 mm
$r_a$ max.	1.5 mm
$r_b$ max.	4 mm
Basic dynamic load rating C	10600 kN
Basic static load rating $C_0$	16000 kN
Specific dynamic load factor K	80 N/mm <sup>2</sup>
Specific static load factor $K_0$	120 N/mm <sup>2</sup>
Material constant $K_M$	1055
Mass plain bearing	300 kg