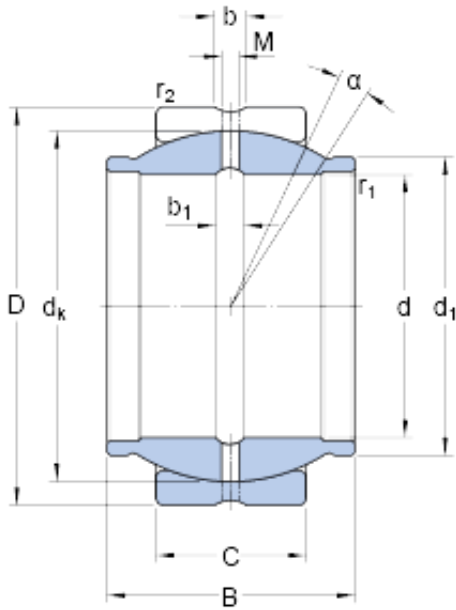




SNR BEARING CORP.OF AMERICA

22.225 mm x 36.513 mm x 33.325 mm skf
GEZM 014 ES Radial spherical plain bearings



GEZM 014 ES Bearing 2D drawings and 3D CAD models

Bearing No. GEZM 014 ES

Size	36.513x22.225x33.325 mm
Bore Diameter	36,513 mm
Outer Diameter	22,225 mm
Width	33,325 mm
d	22.225 mm
D	36.513 mm
B	33.325 mm
C	16.662 mm
	9 °
d _k	31.953 mm
d ₁	27.178 mm
b	3.2 mm
b ₁	3 mm
M	2.5 mm
r ₁ - min.	0.6 mm
r ₂ - min.	1 mm
d _a - min.	24.9 mm
d _a - max.	27.2 mm
D _a - min.	30.4 mm
D _a - max.	33 mm
r _a - max.	0.6 mm
r _b - max.	1 mm
Basic dynamic load rating - C	42.5 kN
Basic static load rating - C ₀	127 kN



SNR BEARING CORP.OF AMERICA

Specific factor dinamic load - K	100 N/mm ²
Specific factor static load - K ₀	300 N/mm ²
Constant - K _M	330
Lubricant	Regular relubrication – grease
Design (sliding contact surface combination)	Steel/steel
Sealing solution	-
	9 °
d _k	31.953 mm
d ₁	27.178 mm
b ₁	3 mm
r ₁ min.	0.6 mm
r ₂ min.	1 mm
d _a min.	24.9 mm
d _a max.	27.2 mm
D _a min.	30.4 mm
D _a max.	33 mm
r _a max.	0.6 mm
r _b max.	1 mm
Basic dynamic load rating C	42.5 kN
Basic static load rating C ₀	127 kN
Specific dynamic load factor K	100 N/mm ²
Specific static load factor K ₀	300 N/mm ²
Material constant K _M	330
Mass plain bearing	0.11 kg