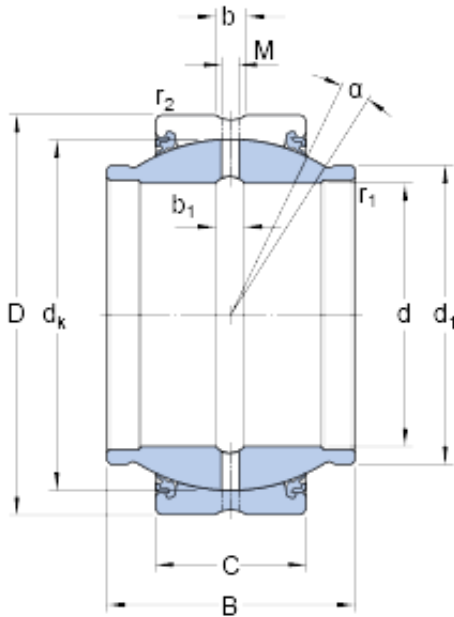




SNR BEARING CORP.OF AMERICA

76.2 mm x 120.65 mm x 114.3 mm skf GEZM 300 ESX-2LS Radial spherical plain bearings



GEZM 300 ESX-2LS Bearing 2D drawings and 3D CAD models

Bearing No. GEZM 300 ESX-2LS

Size	120.65x76.2x114.3 mm
Bore Diameter	120,65 mm
Outer Diameter	76,2 mm
Width	114,3 mm
d	76.2 mm
D	120.65 mm
B	114.3 mm
C	57.15 mm
	5 °
dk	109.525 mm
d ₁	93.345 mm
b	9 mm
b ₁	8 mm
M	6.5 mm
r ₁ - min.	1 mm
r ₂ - min.	1 mm
d _a - min.	82.8 mm
d _a - max.	93.3 mm
D _a - min.	104.8 mm
D _a - max.	115 mm
r _a - max.	1 mm
r _b - max.	1 mm
Basic dynamic load rating - C	750 kN
Basic static load rating - C ₀	1500 kN



SNR BEARING CORP.OF AMERICA

Specific factor dynamic load - K	150 N/mm ²
Specific factor static load - K ₀	300 N/mm ²
Constant - K _M	330
Lubricant	Maintenance free – greased for life
Design (sliding contact surface combination)	Steel/steel
Sealing solution	Triple-lip seals
	5 °
d _k	109.525 mm
d ₁	93.345 mm
b ₁	8 mm
r ₁ min.	1 mm
r ₂ min.	1 mm
d _a min.	82.8 mm
d _a max.	93.3 mm
D _a min.	104.8 mm
D _a max.	115 mm
r _a max.	1 mm
r _b max.	1 mm
Basic dynamic load rating C	750 kN
Basic static load rating C ₀	1500 kN
Specific dynamic load factor K	150 N/mm ²
Specific static load factor K ₀	300 N/mm ²
Material constant K _M	330
Mass plain bearing	4 kg