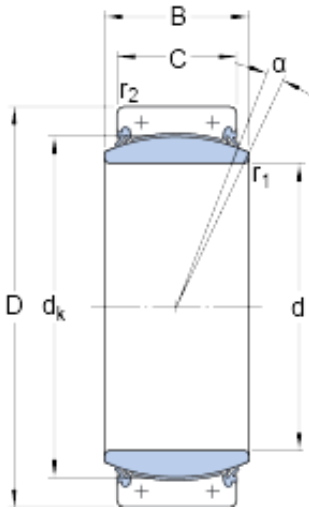




SNR BEARING CORP.OF AMERICA



420 mm x 560 mm x 190 mm skf GEC 420
TXA-2RS Radial spherical plain bearings

Bearing No. GEC 420 TXA-2RS

GEC 420 TXA-2RS Bearing 2D drawings and 3D CAD models

Size	560x420x190 mm
Bore Diameter	560 mm
Outer Diameter	420 mm
Width	190 mm
d	420 mm
D	560 mm
B	190 mm
C	160 mm
	3 °
dk	490 mm
r ₁ - min.	1.5 mm
r ₂ - min.	4 mm
d _a - min.	439 mm
d _a - max.	451 mm
D _a - min.	485 mm
D _a - max.	530 mm
r _a - max.	1.5 mm
r _b - max.	4 mm
Basic dynamic load rating - C	21200 kN
Basic static load rating - C ₀	35500 kN
Specific factor dinamic load - K	300 N/mm ²
Specific factor static load - K ₀	500 N/mm ²
Lubricant	Maintenance free – dry



SNR BEARING CORP.OF AMERICA

	lubrication
Design (sliding contact surface combination)	Steel/PTFE fabric
Sealing solution	Double-lip seals
	3 °
d_k	490 mm
r_1 min.	1.5 mm
r_2 min.	4 mm
d_a min.	439 mm
d_a max.	451 mm
D_a min.	485 mm
D_a max.	530 mm
r_a max.	1.5 mm
r_b max.	4 mm
Basic dynamic load rating C	21200 kN
Basic static load rating C_0	35500 kN
Specific dynamic load factor K	300 N/mm ²
Specific static load factor K_0	500 N/mm ²
Mass plain bearing	137 kg