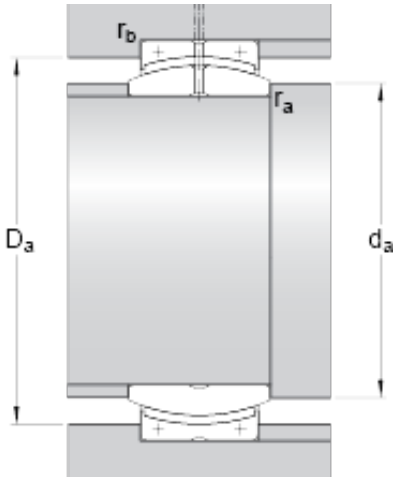




SNR BEARING CORP.OF AMERICA



400 mm x 540 mm x 190 mm skf GEC 400 FBAS
Radial spherical plain bearings

Bearing No. GEC 400 FBAS

GEC 400 FBAS Bearing 2D drawings and 3D CAD models

Lubricant	Maintenance free – dry lubrication
Design (sliding contact surface combination)	Steel/PTFE FRP
Sealing solution	-
d	400 mm
D	540 mm
B	190 mm
C	160 mm
	3 °
d _k	470 mm
b	21 mm
b ₁	21 mm
M	8 mm
r ₁ min.	1.5 mm
r ₂ min.	4 mm
d _a min.	409 mm
d _a max.	429 mm
D _a min.	457 mm
D _a max.	523 mm
r _a max.	1.5 mm
r _b max.	4 mm
Basic dynamic load rating C	4500 kN
Basic static load rating C ₀	6700 kN
Specific dynamic load factor K	80 N/mm ²



SNR BEARING CORP.OF AMERICA

Specific static load factor K_0	120 N/mm ²
Material constant K_M	1055
Mass plain bearing	120 kg