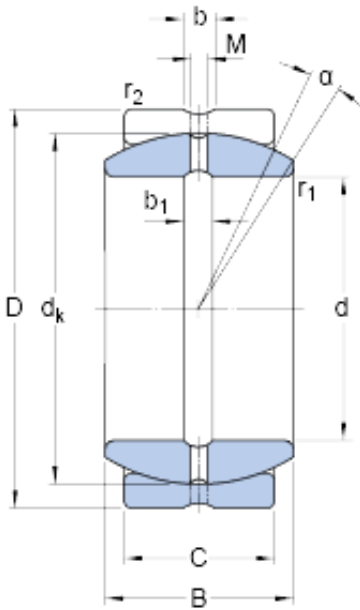




SNR BEARING CORP.OF AMERICA



GE 110 ES Bearing 2D drawings and 3D CAD models

110 mm x 160 mm x 70 mm skf GE 110 ES
Radial spherical plain bearings

Bearing No. GE 110 ES

Size	160x110x70 mm
Bore Diameter	160 mm
Outer Diameter	110 mm
Width	70 mm
d	110 mm
D	160 mm
B	70 mm
C	55 mm
	6 °
d _k	140 mm
b	11.5 mm
b ₁	11.5 mm
M	5 mm
r ₁ - min.	1 mm
r ₂ - min.	1 mm
d _a - min.	118 mm
d _a - max.	121 mm
D _a - min.	133 mm
D _a - max.	153 mm
r _a - max.	1 mm
r _b - max.	1 mm
Basic dynamic load rating - C	655 kN
Basic static load rating - C ₀	3250 kN
Specific factor dinamic load - K	100 N/mm ²



SNR BEARING CORP.OF AMERICA

Specific factor static load - K_0	500 N/mm ²
Constant - K_M	330
Category	Spherical Plain Bearings - Radial
Inventory	0.0
Manufacturer Name	SKF
Minimum Buy Quantity	N/A
Weight / Kilogram	4.8
EAN	7316576609527
Product Group	B04264
Self Aligning	Yes
Rolling Element	Spherical Plain
Material - Outer Member	Steel
Material - Ball	Steel
Material - Liner	Not Applicable
Relubricatable	Yes
Enclosure	Open
Other Features	2 Piece Lubrication Hole and an Annular Groove in Both Rings
Long Description	110MM Bore; 55MM Housing Width; 160MM Outside Diameter; Spherical Plain; Steel Outer Member; Steel Ball; No Liner; 70MM Overall Width; Relubricatable
Inch - Metric	Metric
Category	Plain Bearings Spherical Radial
UNSPSC	31171515
Harmonized Tariff Code	8483.30.80.70
Noun	Bearing
Keyword 3	Spherical



SNR BEARING CORP.OF AMERICA

Keyword String	Plain Spherical Radial
Manufacturer URL	http://www.skf.com
Manufacturer Item Number	GE 110 ES
Weight / LBS	10.582
Housing Width	2.165 Inch 55 Millimeter
Overall Width	2.756 Inch 70 Millimeter
Bore	4.331 Inch 110 Millimeter
Outside Diameter	6.299 Inch 160 Millimeter
bore diameter:	110 mm
inner ring material:	Chrome Steel
outside diameter:	160 mm
outer ring width:	55 mm
misalignment angle:	6 °
grade:	Commercial/Industrial
inner ring width:	70 mm
overall width:	70 mm
bearing type:	Radial
radial static load capacity:	3250 kN
lubrication type:	Requires Lubrication
radial dynamic load capacity:	655 kN
closure type:	Open
operating temperature range:	-50 to +200 ° C ° F
outer ring material:	Chrome Steel
manufacturer upc number:	7316576609527
Lubricant	Regular relubrication – grease
Design (sliding contact surface combination)	Steel/steel
Sealing solution	-
	6 °
d _k	140 mm



SNR BEARING CORP.OF AMERICA

b_1	11.5 mm
r_1 min.	1 mm
r_2 min.	1 mm
d_a min.	118 mm
d_a max.	121 mm
D_a min.	133 mm
D_a max.	153 mm
r_a max.	1 mm
r_b max.	1 mm
Basic dynamic load rating C	655 kN
Basic static load rating C_0	3250 kN
Specific dynamic load factor K	100 N/mm ²
Specific static load factor K_0	500 N/mm ²
Material constant K_M	330
Mass plain bearing	4.8 kg