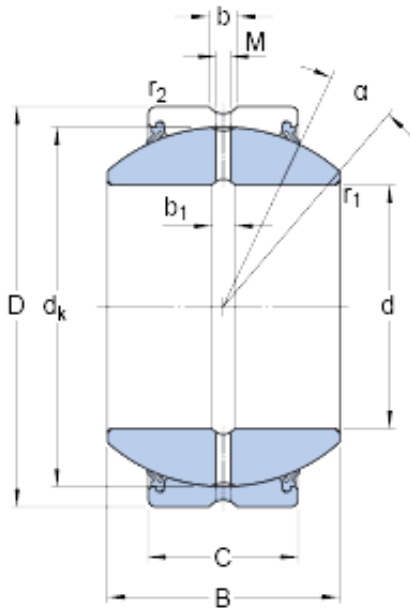




SNR BEARING CORP.OF AMERICA

44.45 mm x 80.963 mm x 46.228 mm skf GEZH 112 ES-2RS Radial spherical plain bearings

Bearing No. GEZH 112 ES-2RS



GEZH 112 ES-2RS Bearing 2D drawings and 3D CAD models

Size	80.963x44.45x46.228 mm
Bore Diameter	80,963 mm
Outer Diameter	44,45 mm
Width	46,228 mm
d	44.45 mm
D	80.963 mm
B	46.228 mm
C	38.1 mm
	7 °
d _k	73.025 mm
b	4.8 mm
b ₁	5 mm
M	4 mm
r ₁ - min.	1.5 mm
r ₂ - min.	1 mm
d _a - min.	50.9 mm
d _a - max.	56.5 mm
D _a - min.	72.4 mm
D _a - max.	75.9 mm
r _a - max.	1.5 mm
r _b - max.	1 mm
Basic dynamic load rating - C	224 kN
Basic static load rating - C ₀	670 kN
Specific factor dinamic load - K	100 N/mm ²



SNR BEARING CORP.OF AMERICA

Specific factor static load - K_0	300 N/mm ²
Constant - K_M	330
Lubricant	Regular relubrication – grease
Design (sliding contact surface combination)	Steel/steel
Sealing solution	Double-lip seals
	7 °
d_k	73.025 mm
b_1	5 mm
r_1 min.	1.5 mm
r_2 min.	1 mm
d_a min.	50.9 mm
d_a max.	56.5 mm
D_a min.	72.4 mm
D_a max.	75.9 mm
r_a max.	1.5 mm
r_b max.	1 mm
Basic dynamic load rating C	224 kN
Basic static load rating C_0	670 kN
Specific dynamic load factor K	100 N/mm ²
Specific static load factor K_0	300 N/mm ²
Material constant K_M	330
Mass plain bearing	1.13 kg