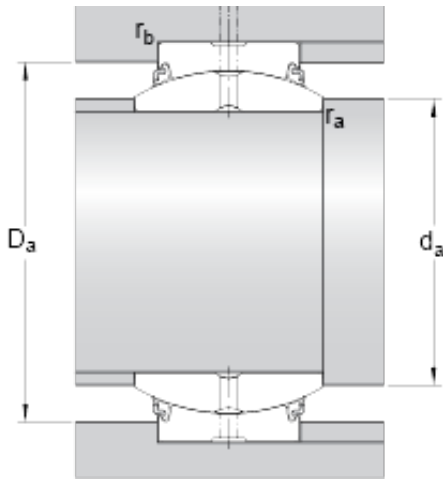




SNR BEARING CORP.OF AMERICA



35 mm x 55 mm x 25 mm skf GE 35 ESL-2LS Radial spherical plain bearings

Bearing No. GE 35 ESL-2LS

GE 35 ESL-2LS Bearing 2D drawings and 3D CAD models

Lubricant	Regular relubrication – grease
Design (sliding contact surface combination)	Steel/steel, heavy-duty bearing
Sealing solution	Triple-lip seals
d	35 mm
D	55 mm
B	25 mm
C	20 mm
	6 °
d _k	47 mm
b	3.9 mm
b ₁	3.9 mm
M	2.5 mm
r ₁ min.	0.6 mm
r ₂ min.	1 mm
d _a min.	38.5 mm
d _a max.	39.8 mm
D _a min.	48.5 mm
D _a max.	50.9 mm
r _a max.	0.6 mm
r _b max.	1 mm
Basic dynamic load rating C	80 kN
Basic static load rating C ₀	400 kN
Specific dynamic load factor K	100 N/mm ²



SNR BEARING CORP.OF AMERICA

Specific static load factor K_0	500 N/mm ²
Material constant K_M	330
Mass plain bearing	0.23 kg