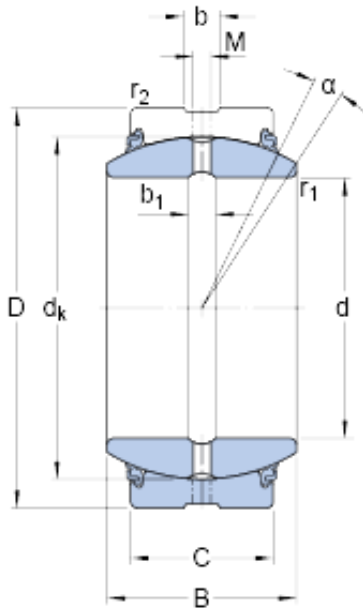




# SNR BEARING CORP.OF AMERICA



GE 70 ESX-2LS Bearing 2D drawings and 3D CAD models

70 mm x 105 mm x 49 mm skf GE 70 ESX-2LS  
Radial spherical plain bearings

Bearing No. GE 70 ESX-2LS

Size	105x70x49 mm
Bore Diameter	105 mm
Outer Diameter	70 mm
Width	49 mm
d	70 mm
D	105 mm
B	49 mm
C	40 mm
	6 °
d <sub>k</sub>	92 mm
b	7.7 mm
b <sub>1</sub>	7.7 mm
M	4 mm
r <sub>1</sub> - min.	1 mm
r <sub>2</sub> - min.	1 mm
d <sub>a</sub> - min.	76.7 mm
d <sub>a</sub> - max.	77.9 mm
D <sub>a</sub> - min.	92 mm
D <sub>a</sub> - max.	99 mm
r <sub>a</sub> - max.	1 mm
r <sub>b</sub> - max.	1 mm
Basic dynamic load rating - C	465 kN
Basic static load rating - C <sub>0</sub>	1560 kN
Specific factor dinamic load - K	150 N/mm <sup>2</sup>



## SNR BEARING CORP.OF AMERICA

Specific factor static load - $K_0$	500 N/mm <sup>2</sup>
Constant - $K_M$	330
Lubricant	Maintenance free – greased for life
Design (sliding contact surface combination)	Steel/steel
Sealing solution	Triple-lip seals
	6 °
$d_k$	92 mm
$b_1$	7.7 mm
$r_1$ min.	1 mm
$r_2$ min.	1 mm
$d_a$ min.	76.7 mm
$d_a$ max.	77.9 mm
$D_a$ min.	92 mm
$D_a$ max.	99 mm
$r_a$ max.	1 mm
$r_b$ max.	1 mm
Basic dynamic load rating C	465 kN
Basic static load rating $C_0$	1560 kN
Specific dynamic load factor K	150 N/mm <sup>2</sup>
Specific static load factor $K_0$	500 N/mm <sup>2</sup>
Material constant $K_M$	330
Mass plain bearing	1.55 kg