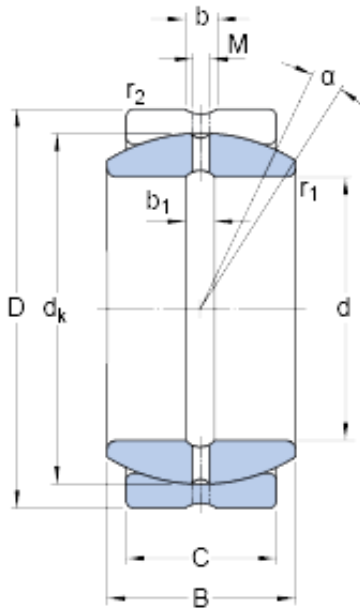




SNR BEARING CORP.OF AMERICA

90 mm x 130 mm x 60 mm skf GE 90 ES Radial spherical plain bearings

Bearing No. GE 90 ES



GE 90 ES Bearing 2D drawings and 3D CAD models

Size	130x90x60 mm
Bore Diameter	130 mm
Outer Diameter	90 mm
Width	60 mm
d	90 mm
D	130 mm
B	60 mm
C	50 mm
	5 °
d _k	115 mm
b	9.5 mm
b ₁	9.5 mm
M	5 mm
r ₁ - min.	1 mm
r ₂ - min.	1 mm
d _a - min.	97.4 mm
d _a - max.	98.1 mm
D _a - min.	109.3 mm
D _a - max.	123.5 mm
r _a - max.	1 mm
r _b - max.	1 mm
Basic dynamic load rating - C	490 kN
Basic static load rating - C ₀	2450 kN
Specific factor dinamic load - K	100 N/mm ²



SNR BEARING CORP.OF AMERICA

Specific factor static load - K_0	500 N/mm ²
Constant - K_M	330
Category	Spherical Plain Bearings - Radial
Inventory	0.0
Manufacturer Name	SKF
Minimum Buy Quantity	N/A
Weight / Kilogram	2.754
EAN	7316576609480
Product Group	B04264
Self Aligning	Yes
Rolling Element	Spherical Plain
Material - Outer Member	Steel
Material - Ball	Steel
Material - Liner	Not Applicable
Relubricatable	Yes
Enclosure	Open
Other Features	2 Piece Lubrication Hole and an Annular Groove in Both Rings
Long Description	90MM Bore; 50MM Housing Width; 130MM Outside Diameter; Spherical Plain; Steel Outer Member; Steel Ball; No Liner; 60MM Overall Width; Relubricatable
Inch - Metric	Metric
Category	Plain Bearings Spherical Radial
UNSPSC	31171515
Harmonized Tariff Code	8483.30.80.70
Noun	Bearing
Keyword 3	Spherical



SNR BEARING CORP.OF AMERICA

Keyword String	Plain Spherical Radial
Manufacturer URL	http://www.skf.com
Manufacturer Item Number	GE 90 ES
Weight / LBS	6.063
Housing Width	1.969 Inch 50 Millimeter
Overall Width	2.362 Inch 60 Millimeter
Outside Diameter	5.118 Inch 130 Millimeter
Bore	3.543 Inch 90 Millimeter
bore diameter:	90 mm
inner ring material:	Chrome Steel
outside diameter:	130 mm
outer ring width:	50 mm
misalignment angle:	5 °
grade:	Commercial/Industrial
inner ring width:	60 mm
radial static load capacity:	2450 kN
bearing type:	Radial
radial dynamic load capacity:	490 kN
lubrication type:	Requires Lubrication
operating temperature range:	-50 to +200 ° C ° F
closure type:	Open
overall width:	60 mm
outer ring material:	Chrome Steel
manufacturer upc number:	7316576609480
Lubricant	Regular relubrication – grease
Design (sliding contact surface combination)	Steel/steel
Sealing solution	-
	5 °
d _k	115 mm



SNR BEARING CORP.OF AMERICA

b_1	9.5 mm
r_1 min.	1 mm
r_2 min.	1 mm
d_a min.	97.4 mm
d_a max.	98.1 mm
D_a min.	109.3 mm
D_a max.	123.5 mm
r_a max.	1 mm
r_b max.	1 mm
Basic dynamic load rating C	490 kN
Basic static load rating C_0	2450 kN
Specific dynamic load factor K	100 N/mm ²
Specific static load factor K_0	500 N/mm ²
Material constant K_M	330
Mass plain bearing	2.75 kg