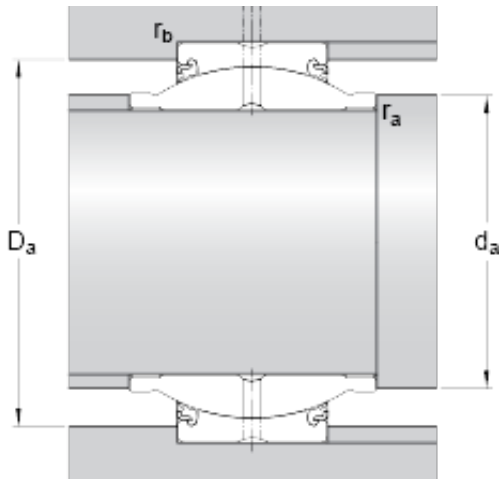




SNR BEARING CORP.OF AMERICA



50 mm x 75 mm x 43 mm skf GEM 50 ES-2LS Radial spherical plain bearings

Bearing No. GEM 50 ES-2LS

GEM 50 ES-2LS Bearing 2D drawings and 3D CAD models

Lubricant	Regular relubrication – grease
Design (sliding contact surface combination)	Steel/steel
Sealing solution	Triple-lip seals
d	50 mm
D	75 mm
B	43 mm
C	28 mm
	4 °
d _k	66 mm
d ₁	57 mm
b	4.6 mm
b ₁	4.6 mm
M	3 mm
r ₁ min.	0.6 mm
r ₂ min.	1 mm
d _a min.	54.8 mm
d _a max.	57 mm
D _a min.	66.2 mm
D _a max.	70.5 mm
r _a max.	0.6 mm
r _b max.	1 mm
Basic dynamic load rating C	156 kN
Basic static load rating C ₀	780 kN
Specific dynamic load factor	100 N/mm ²



SNR BEARING CORP.OF AMERICA

K	
Specific static load factor K_0	500 N/mm ²
Material constant K_M	330
Mass plain bearing	0.6 kg