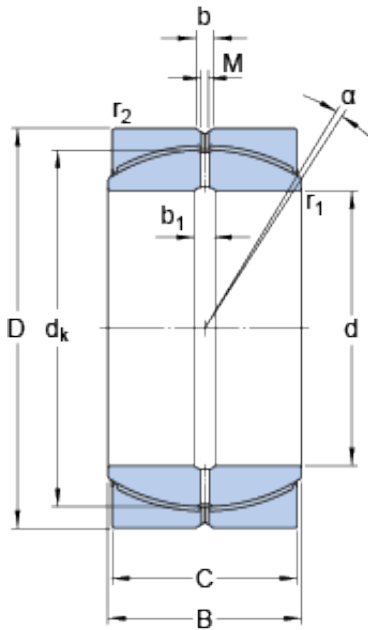




SNR BEARING CORP.OF AMERICA



GEP 710 FS Bearing 2D drawings and 3D CAD models

710 mm x 1000 mm x 500 mm skf GEP 710 FS
Radial spherical plain bearings

Bearing No. GEP 710 FS

Size	1000x710x500 mm
Bore Diameter	1000 mm
Outer Diameter	710 mm
Width	500 mm
d	710 mm
D	1000 mm
B	500 mm
C	475 mm
	2 °
d _k	912 mm
b	35 mm
b ₁	35 mm
M	13 mm
r ₁ - min.	3 mm
r ₂ - min.	6 mm
d _a - min.	743 mm
d _a - max.	762 mm
D _a - min.	849 mm
D _a - max.	946 mm
r _a - max.	3 mm
r _b - max.	6 mm
Basic dynamic load rating - C	31000 kN
Basic static load rating - C ₀	46500 kN
Specific factor dinamic load - K	80 N/mm ²



SNR BEARING CORP.OF AMERICA

Specific factor static load - K_0	120 N/mm ²
Constant - K_M	1055
Lubricant	Maintenance free – dry lubrication
Design (sliding contact surface combination)	Steel/PTFE FRP
Sealing solution	-
	2 °
d_k	912 mm
b_1	35 mm
r_1 min.	3 mm
r_2 min.	6 mm
d_a min.	743 mm
d_a max.	762 mm
D_a min.	849 mm
D_a max.	946 mm
r_a max.	3 mm
r_b max.	6 mm
Basic dynamic load rating C	31000 kN
Basic static load rating C_0	46500 kN
Specific dynamic load factor K	80 N/mm ²
Specific static load factor K_0	120 N/mm ²
Material constant K_M	1055
Mass plain bearing	1400 kg