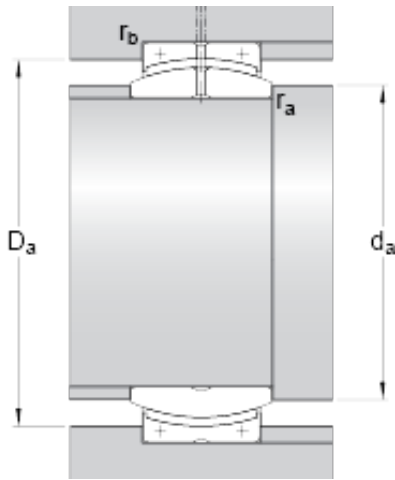




SNR BEARING CORP.OF AMERICA



320 mm x 440 mm x 160 mm skf GEC 320 FBAS
Radial spherical plain bearings

Bearing No. GEC 320 FBAS

GEC 320 FBAS Bearing 2D drawings and 3D CAD models

Lubricant	Maintenance free – dry lubrication
Design (sliding contact surface combination)	Steel/PTFE FRP
Sealing solution	-
d	320 mm
D	440 mm
B	160 mm
C	135 mm
	4 °
dk	380 mm
b	21 mm
b ₁	21 mm
M	8 mm
r ₁ min.	1.1 mm
r ₂ min.	3 mm
d _a min.	328 mm
d _a max.	344 mm
D _a min.	370 mm
D _a max.	426 mm
r _a max.	1 mm
r _b max.	3 mm
Basic dynamic load rating C	3000 kN
Basic static load rating C ₀	4500 kN
Specific dynamic load factor K	80 N/mm ²



SNR BEARING CORP.OF AMERICA

Specific static load factor K_0	120 N/mm ²
Material constant K_M	1055
Mass plain bearing	69 kg