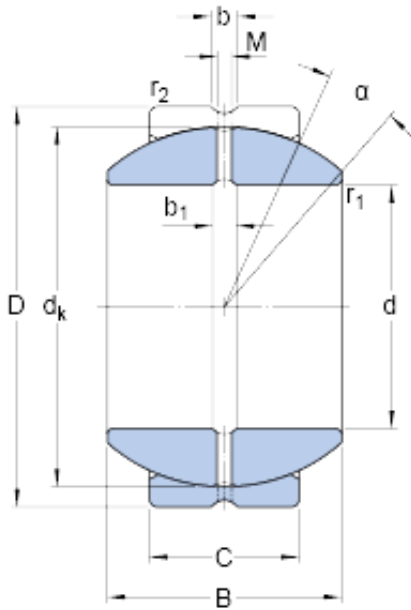




SNR BEARING CORP.OF AMERICA

101.6 mm x 177.8 mm x 107.315 mm skf GEZH 400 ES Radial spherical plain bearings



GEZH 400 ES Bearing 2D drawings and 3D CAD models

Bearing No. GEZH 400 ES

Size	177.8x101.6x107.315 mm
Bore Diameter	177,8 mm
Outer Diameter	101,6 mm
Width	107,315 mm
d	101.6 mm
D	177.8 mm
B	107.315 mm
C	85.725 mm
	9 °
d _k	164.465 mm
b	11 mm
b ₁	10 mm
M	8 mm
r ₁ - min.	2 mm
r ₂ - min.	1.1 mm
d _a - min.	113 mm
d _a - max.	124.5 mm
D _a - min.	156.5 mm
D _a - max.	170.99 mm
r _a - max.	2 mm
r _b - max.	1.1 mm
Basic dynamic load rating - C	1120 kN
Basic static load rating - C ₀	3400 kN
Specific factor dinamic load - K	100 N/mm ²



SNR BEARING CORP.OF AMERICA

Specific factor static load - K_0	300 N/mm ²
Constant - K_M	330
Lubricant	Regular relubrication – grease
Design (sliding contact surface combination)	Steel/steel
Sealing solution	-
	9 °
d_k	164.465 mm
b_1	10 mm
r_1 min.	2 mm
r_2 min.	1.1 mm
d_a min.	113 mm
d_a max.	124.5 mm
D_a min.	156.5 mm
D_a max.	170.99 mm
r_a max.	2 mm
r_b max.	1.1 mm
Basic dynamic load rating C	1120 kN
Basic static load rating C_0	3400 kN
Specific dynamic load factor K	100 N/mm ²
Specific static load factor K_0	300 N/mm ²
Material constant K_M	330
Mass plain bearing	13.5 kg