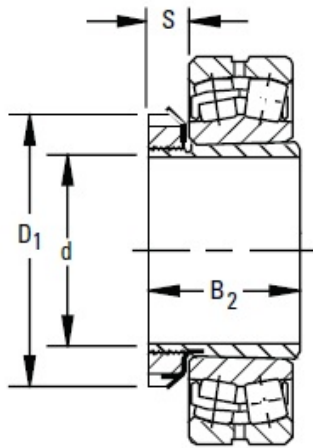




# SNR BEARING CORP.OF AMERICA



## timken SNW-130 x 5 1/8 SNW/SNP-Pull-Type Sleeve, Locknut, Lockwasher/Lockplate Assemblies

Bearing No. SNW-130 x 5 1/8

Series	223K and 232K
Diameter $d$	5 1/8 in
Taper	1:12
SNW/SNP Assembly Weight	14.6 lb
Tolerance <sup>1</sup>	-0.005 in
$B_2$	5.611 in
$S$	1.125 in
$D_1$	7.693 in
Sleeve	S-130 x 5 1/8
Locknut	AN-30
Lockwasher and Lockplates	W-30

SNW-130 x 5 1/8 Bearing 2D drawings and 3D CAD models