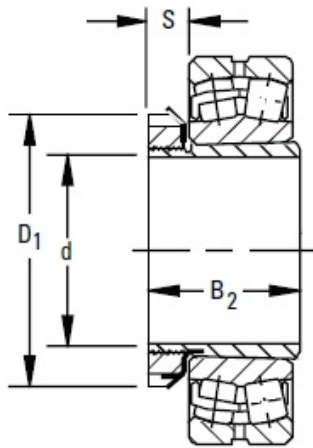




SNR BEARING CORP.OF AMERICA



timken SNW-3126 x 4 7/16 SNW/SNP-Pull-Type Sleeve, Locknut, Lockwasher/Lockplate Assemblies

Bearing No. SNW-3126 x 4 7/16

Series	231K
Diameter d	4 7/16 in
Taper	1:12
SNW/SNP Assembly Weight	8.35 lb
Tolerance ¹	-0.005 in
B ₂	3.752 in
S	1.000 in
D ₁	6.130 in
Sleeve	S-26
Locknut	N-026
Lockwasher and Lockplates	W-026

SNW-3126 x 4 7/16 Bearing 2D drawings and 3D CAD models