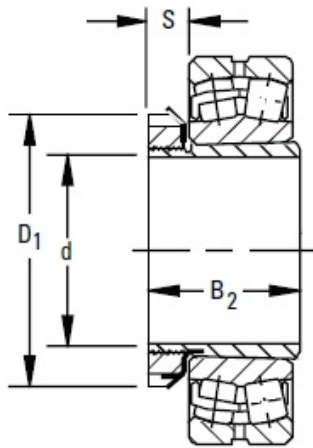




# SNR BEARING CORP.OF AMERICA



## timken SNP-3156 x 10 SNW/SNP-Pull-Type Sleeve, Locknut, Lockwasher/Lockplate Assemblies

Bearing No. SNP-3156 x 10

Series	231K
Diameter d	10 in
Taper	1:12
SNW/SNP Assembly Weight	59.52 lb
Tolerance <sup>1</sup>	-0.007 in
B <sub>2</sub>	7.756 in
S	1.635 in
D <sub>1</sub>	13.005 in
Sleeve	S-3156 x 10
Locknut	N-056
Lockwasher and Lockplates	P-56

SNP-3156 x 10 Bearing 2D drawings and 3D CAD models