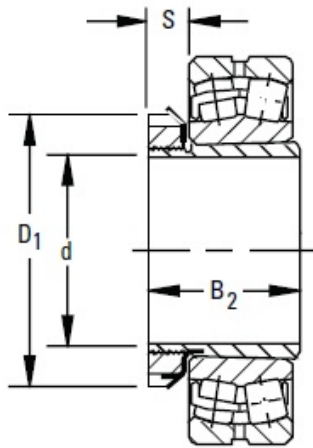




# SNR BEARING CORP.OF AMERICA



## timken SNP-3156 x 10 1/2 SNW/SNP-Pull-Type Sleeve, Locknut, Lockwasher/Lockplate Assemblies

Bearing No. SNP-3156 x 10 1/2

Series	231K
Diameter d	10 1/2 in
Taper	1:12
SNW/SNP Assembly Weight	46.5 lb
Tolerance <sup>1</sup>	-0.007 in
$B_2$	7.756 in
S	1.635 in
$D_1$	13.005 in
Sleeve	S-3156 x 10 1/2
Locknut	N-056
Lockwasher and Lockplates	P-56

SNP-3156 x 10 1/2 Bearing 2D drawings and 3D CAD models