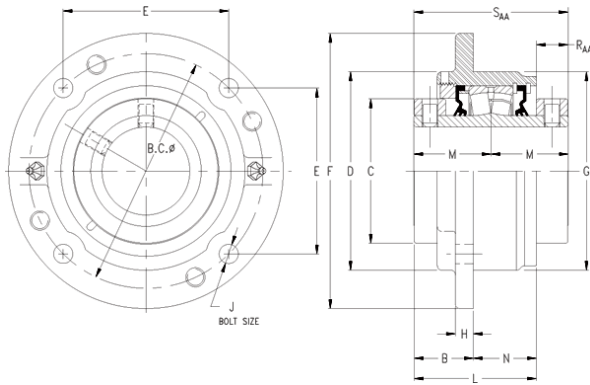




SNR BEARING CORP.OF AMERICA



timken QAACW11A203S Solid Block/Spherical Roller Bearing Housed Units-Double Concentric Piloted Flange Cartridge

Bearing No. QAACW11A203S

QAACW11A203S Bearing 2D drawings and 3D CAD models

Engineering Group	Mounted Bearing
Shaft Size	2-3/16 in
Shaft Size Type	Imperial
Full Timken Part Number	QAACW11A203SB
Locking Style	Double Concentric
Weight	13 lb
Housing Style	Piloted Flange Cartridge
UPC Code	0883450016902
Dimension BC	6.00 in
Dimension C	3.250 in
Dimension E	4.24 in
Dimension B Fix	1.53 in
Dimension B Exp	1.61 in
Dimension F	7.13 in
Dimension D	4.99 in
Dimension H	0.56 in
Dimension J (Bolt Size)	0.5 in
Dimension M	2 in
Dimension G	5.000 in
Dimension L Exp	3.24 in
Dimension L Fix	3.16 in
Dimension N	1.63 in
Dimension RAA	0.58 in
Dimension SAA	4 in
C0 - Static Load	31900 lb



SNR BEARING CORP.OF AMERICA

C - Dynamic Load (Basic)	31400 lb
e - Geometry Factor	0.23
Y1 - Geometry Factor	2.95
Y2 - Geometry Factor	4.40
Oil Lubrication - M/N Seal	2200 rpm
Oil Lubrication - T Seal	3800 rpm
Oil Lubrication - B/C/O Seal	1600 rpm
Grease Lubrication - M/N Seal	2200 rpm
Grease Lubrication - T Seal	3200 rpm
Grease Lubrication - B/C/O Seal	1600 rpm
Float	0.050 in
Shaft Tolerance	0.0015 in
Eng Internal Radial Clearance - Min	0.0016
Eng Internal Radial Clearance - Max	0.0026
Pre Install Clearance Min	0.0016 in
Pre Install Clearance Max	0.0026 in