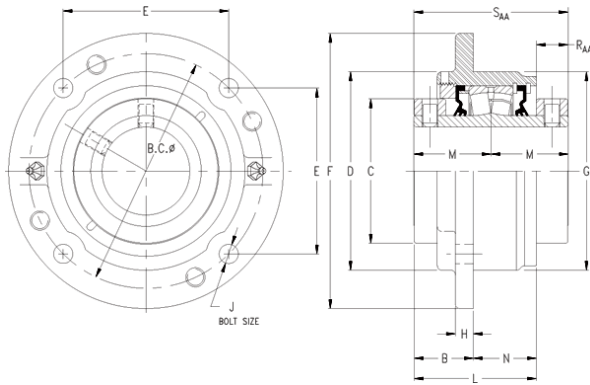




SNR BEARING CORP.OF AMERICA



timken QAACW15A300S Solid Block/Spherical Roller Bearing Housed Units-Double Concentric Piloted Flange Cartridge

Bearing No. QAACW15A300S

QAACW15A300S Bearing 2D drawings and 3D CAD models

Engineering Group	Mounted Bearing
Shaft Size	3 in
Shaft Size Type	Imperial
Full Timken Part Number	QAACW15A300SB
Locking Style	Double Concentric
Weight	22.00 lb
Housing Style	Piloted Flange Cartridge
UPC Code	0883450017602
Dimension BC	7.50 in
Dimension C	4.290 in
Dimension E	5.30 in
Dimension B Fix	1.81 in
Dimension B Exp	1.89 in
Dimension F	8.75 in
Dimension D	6.38 in
Dimension H	0.50 in
Dimension J (Bolt Size)	0.625 in
Dimension M	2.37 in
Dimension G	6.375 in
Dimension L Exp	3.76 in
Dimension L Fix	3.68 in
Dimension N	1.88 in
Dimension RAA	1.06 in
Dimension SAA	4.74 in
C0 - Static Load	54100 lb



SNR BEARING CORP.OF AMERICA

C - Dynamic Load (Basic)	49900 lb
e - Geometry Factor	0.22
Y1 - Geometry Factor	3.14
Y2 - Geometry Factor	4.67
Oil Lubrication - M/N Seal	1600 rpm
Oil Lubrication - T Seal	2900 rpm
Oil Lubrication - B/C/O Seal	1300 rpm
Grease Lubrication - M/N Seal	1600 rpm
Grease Lubrication - T Seal	2400 rpm
Grease Lubrication - B/C/O Seal	1300 rpm
Float	0.083 in
Shaft Tolerance	0.0020 in
Eng Internal Radial Clearance - Min	0.0020
Eng Internal Radial Clearance - Max	0.0031
Pre Install Clearance Min	0.0020 in
Pre Install Clearance Max	0.0031 in