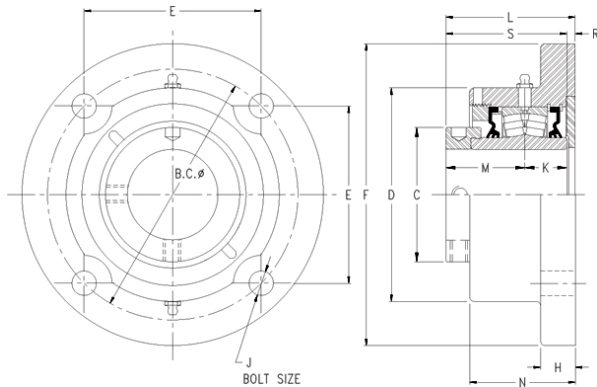




# SNR BEARING CORP.OF AMERICA



## timken QMFY09J045S Solid Block/Spherical Roller Bearing Housed Units-Eccentric Round Flange Block

Bearing No. QMFY09J045S

QMFY09J045S Bearing 2D drawings and 3D CAD models

Engineering Group	Mounted Bearing
Shaft Size	45 mm
Shaft Size Type	Metric
Full Timken Part Number	QMFY09J045SB
Locking Style	Eccentric
Weight	11.0 lb
Housing Style	Round Flange
UPC Code	0883450031899
Dimension BC	5.50 in
Dimension C	2.630 in
Dimension D	4.13 in
Dimension E	3.89 in
Dimension F	6.75 in
Dimension H	0.81 in
Dimension J (Bolt Size)	0.5 in
Dimension K	0.99 in
Dimension L Exp	3.08 in
Dimension L Fix	3 in
Dimension M	1.88 in
Dimension N	2.380 in
Dimension R	0.12 in
Dimension S	2.87 in
C0 - Static Load	24200 lb
C - Dynamic Load (Basic)	24500 lb
e - Geometry Factor	0.26



## SNR BEARING CORP.OF AMERICA

Y1 - Geometry Factor	2.64
Y2 - Geometry Factor	3.93
Oil Lubrication - M/N Seal	2700 rpm
Oil Lubrication - T Seal	4500 rpm
Oil Lubrication - B/C/O Seal	1950 rpm
Grease Lubrication - M/N Seal	2700 rpm
Grease Lubrication - T Seal	4000 rpm
Grease Lubrication - B/C/O Seal	1950 rpm
Float	0.050 in
Shaft Tolerance	0.0015 in
Eng Internal Radial Clearance - Min	0.0014
Eng Internal Radial Clearance - Max	0.0022
Pre Install Clearance Min	0.035 mm
Pre Install Clearance Max	0.055 mm