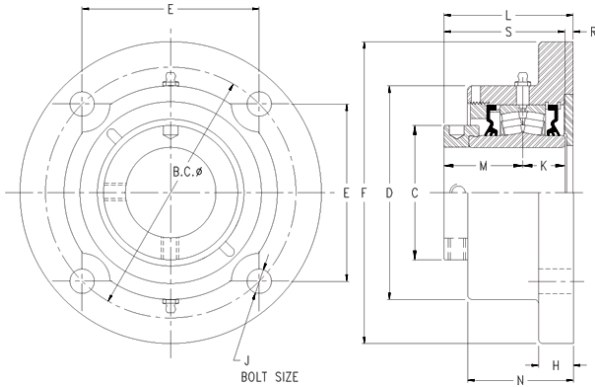




SNR BEARING CORP.OF AMERICA



timken QMFY11J204S Solid Block/Spherical Roller Bearing Housed Units-Eccentric Round Flange Block

Bearing No. QMFY11J204S

QMFY11J204S Bearing 2D drawings and 3D CAD models

Engineering Group	Mounted Bearing
Shaft Size	2-1/4 in
Shaft Size Type	Imperial
Full Timken Part Number	QMFY11J204SB
Locking Style	Eccentric
Weight	15.0 lb
Housing Style	Round Flange
UPC Code	0883450073127
Dimension BC	6.38 in
Dimension C	2.990 in
Dimension D	5.13 in
Dimension E	4.50 in
Dimension F	7.75 in
Dimension H	0.75 in
Dimension J (Bolt Size)	0.625 in
Dimension K	1.13 in
Dimension L Exp	3.32 in
Dimension L Fix	3.24 in
Dimension M	2.99 in
Dimension N	2.440 in
Dimension R	0.12 in
Dimension S	3.12 in
C0 - Static Load	31900 lb
C - Dynamic Load (Basic)	31400 lb
e - Geometry Factor	0.23



SNR BEARING CORP.OF AMERICA

Y1 - Geometry Factor	2.95
Y2 - Geometry Factor	4.40
Oil Lubrication - M/N Seal	2200 rpm
Oil Lubrication - T Seal	3800 rpm
Oil Lubrication - B/C/O Seal	1600 rpm
Grease Lubrication - M/N Seal	2200 rpm
Grease Lubrication - T Seal	3200 rpm
Grease Lubrication - B/C/O Seal	1600 rpm
Float	0.050 in
Shaft Tolerance	0.0015 in
Eng Internal Radial Clearance - Min	0.0016
Eng Internal Radial Clearance - Max	0.0026
Pre Install Clearance Min	0.040 mm
Pre Install Clearance Max	0.065 mm