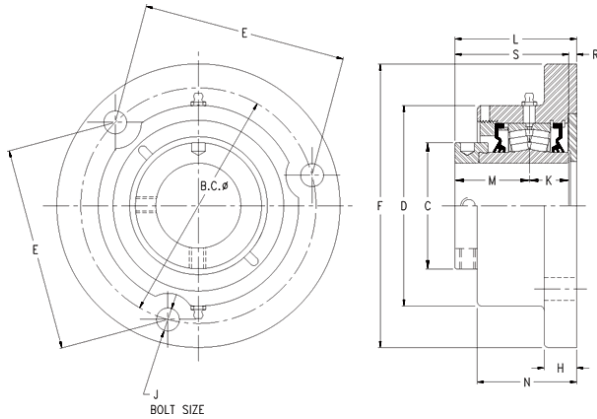




SNR BEARING CORP.OF AMERICA



timken QMFY08J107S Solid Block/Spherical Roller Bearing Housed Units-Eccentric Round Flange Block

Bearing No. QMFY08J107S

QMFY08J107S Bearing 2D drawings and 3D CAD models

Engineering Group	Mounted Bearing
Shaft Size	1-7/16 in
Shaft Size Type	Imperial
Full Timken Part Number	QMFY08J107SB
Locking Style	Eccentric
Weight	10 lb
Housing Style	Round Flange
UPC Code	0883450072328
Dimension BC	5.00 in
Dimension C	2.380 in
Dimension D	4.25 in
Dimension E	3.54 in
Dimension F	6.25 in
Dimension H	0.75 in
Dimension J (Bolt Size)	0.5 in
Dimension K	1 in
Dimension L Exp	2.96 in
Dimension L Fix	2.88 in
Dimension M	1.75 in
Dimension N	2.260 in
Dimension R	0.13 in
Dimension S	2.75 in
C0 - Static Load	22400 lb
C - Dynamic Load (Basic)	23400 lb
e - Geometry Factor	0.27



SNR BEARING CORP.OF AMERICA

Y1 - Geometry Factor	2.47
Y2 - Geometry Factor	3.67
Oil Lubrication - M/N Seal	2700 rpm
Oil Lubrication - T Seal	4500 rpm
Oil Lubrication - B/C/O Seal	1950 rpm
Grease Lubrication - M/N Seal	2700 rpm
Grease Lubrication - T Seal	4000 rpm
Grease Lubrication - B/C/O Seal	1950 rpm
Float	0.050 in
Shaft Tolerance	0.0010 in
Eng Internal Radial Clearance - Min	0.0012
Eng Internal Radial Clearance - Max	0.0018
Pre Install Clearance Min	0.030 mm
Pre Install Clearance Max	0.045 mm