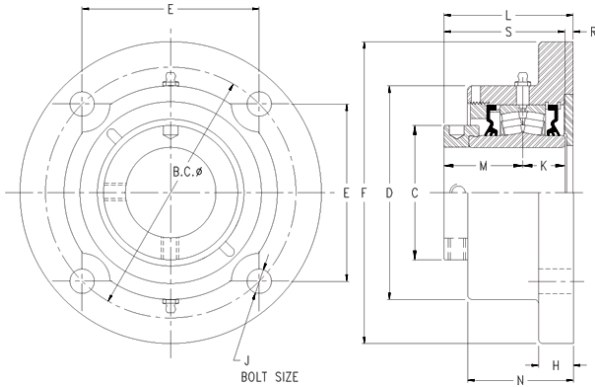




SNR BEARING CORP.OF AMERICA



timken QMFY18J303S Solid Block/Spherical Roller Bearing Housed Units-Eccentric Round Flange Block

Bearing No. QMFY18J303S

QMFY18J303S Bearing 2D drawings and 3D CAD models

Engineering Group	Mounted Bearing
Shaft Size	3-3/16 in
Shaft Size Type	Imperial
Full Timken Part Number	QMFY18J303SB
Locking Style	Eccentric
Weight	42 lb
Housing Style	Round Flange
UPC Code	0883450074322
Dimension BC	9.50 in
Dimension C	4.760 in
Dimension D	7.63 in
Dimension E	6.72 in
Dimension F	11.13 in
Dimension H	1.13 in
Dimension J (Bolt Size)	0.875 in
Dimension K	1.44 in
Dimension L Exp	4.36 in
Dimension L Fix	4.28 in
Dimension M	2.59 in
Dimension N	3.360 in
Dimension R	0.25 in
Dimension S	4.03 in
C0 - Static Load	87200 lb
C - Dynamic Load (Basic)	79700 lb
e - Geometry Factor	0.23



SNR BEARING CORP.OF AMERICA

Y1 - Geometry Factor	2.90
Y2 - Geometry Factor	4.31
Oil Lubrication - M/N Seal	1400 rpm
Oil Lubrication - T Seal	2400 rpm
Oil Lubrication - B/C/O Seal	1000 rpm
Grease Lubrication - M/N Seal	1400 rpm
Grease Lubrication - T Seal	2000 rpm
Grease Lubrication - B/C/O Seal	1000 rpm
Float	0.083 in
Shaft Tolerance	0.0030 in
Eng Internal Radial Clearance - Min	0.0024
Eng Internal Radial Clearance - Max	0.0039
Pre Install Clearance Min	0.060 mm
Pre Install Clearance Max	0.100 mm