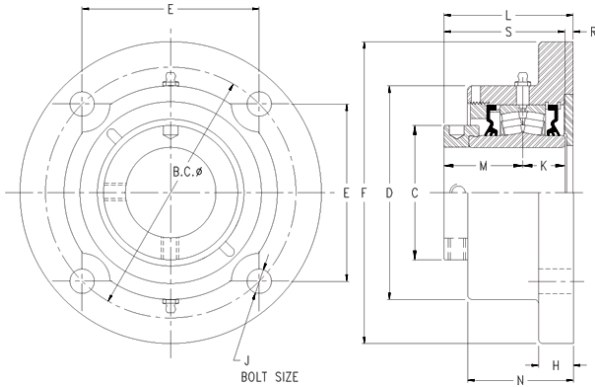




# SNR BEARING CORP.OF AMERICA



## timken QMFY20J311S Solid Block/Spherical Roller Bearing Housed Units-Eccentric Round Flange Block

Bearing No. QMFY20J311S

QMFY20J311S Bearing 2D drawings and 3D CAD models

Engineering Group	Mounted Bearing
Shaft Size	3-11/16 in
Shaft Size Type	Imperial
Full Timken Part Number	QMFY20J311SB
Locking Style	Eccentric
Weight	66 lb
Housing Style	Round Flange
UPC Code	0883450074827
Dimension BC	10.75 in
Dimension C	6.0000 in
Dimension D	8.38 in
Dimension E	7.60 in
Dimension F	12.63 in
Dimension H	1.13 in
Dimension J (Bolt Size)	1 in
Dimension K	1.63 in
Dimension L Exp	4.95 in
Dimension L Fix	4.87 in
Dimension M	2.96 in
Dimension N	3.810 in
Dimension R	0.27 in
Dimension S	4.590 in
C0 - Static Load	113000 lb
C - Dynamic Load (Basic)	97700 lb
e - Geometry Factor	0.24



## SNR BEARING CORP.OF AMERICA

Y1 - Geometry Factor	2.85
Y2 - Geometry Factor	4.24
Oil Lubrication - M/N Seal	1200 rpm
Oil Lubrication - T Seal	2000 rpm
Oil Lubrication - B/C/O Seal	900 rpm
Grease Lubrication - M/N Seal	1200 rpm
Grease Lubrication - T Seal	1600 rpm
Grease Lubrication - B/C/O Seal	900 rpm
Float	0.083 in
Shaft Tolerance	0.0030 in
Eng Internal Radial Clearance - Min	0.0030
Eng Internal Radial Clearance - Max	0.0047
Pre Install Clearance Min	0.075 mm
Pre Install Clearance Max	0.120 mm